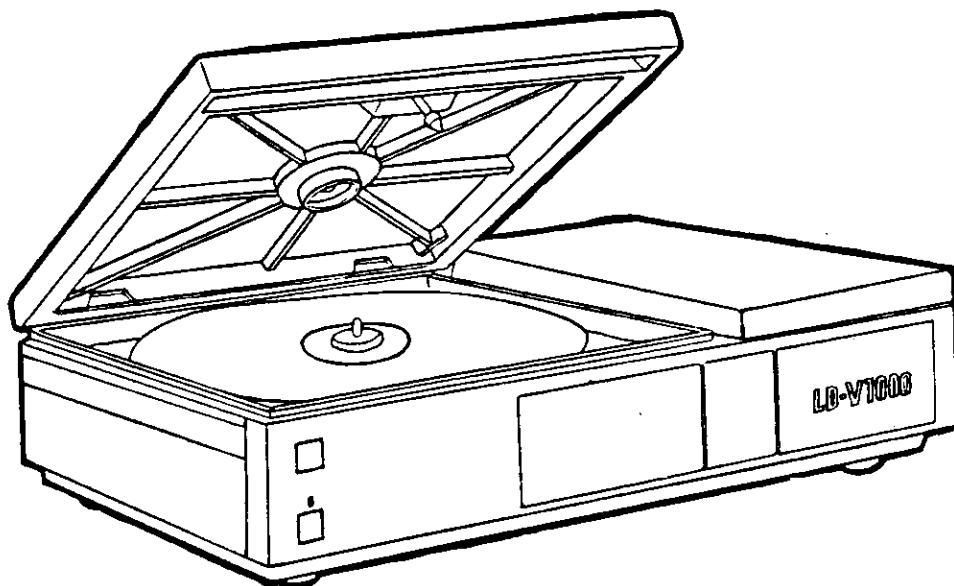


VIDEO DISC PLAYER

LD-V1000

PROVISIONAL SERVICE MANUAL



■ CONTENTS

1. BLOCK DIAGRAM
2. WAVE FORMS
3. CIRCUIT DIAGRAMS AND PARTS LISTS
4. EXPLODED VIEWS AND PARTS LIST

Note : Please use this temporarily till
the regular service manual is ready.

2. WAVE FORMS

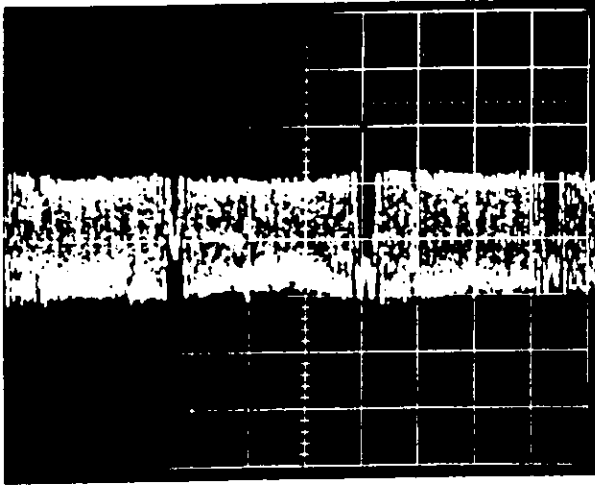


Photo-1.

TP501-1. when the servo loop
is opened

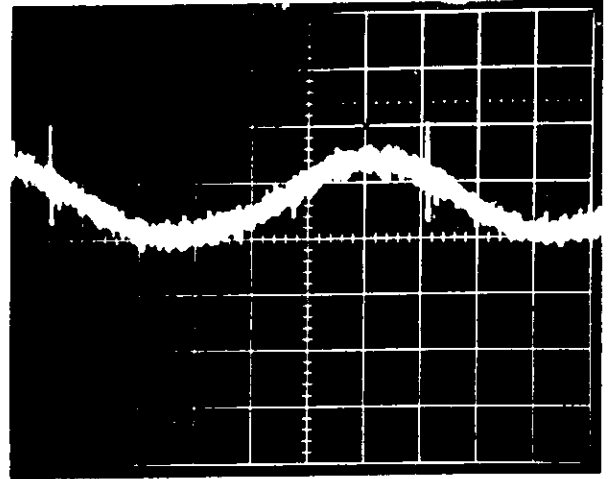


Photo-2.

TP501-1. when the servo loop
is closed

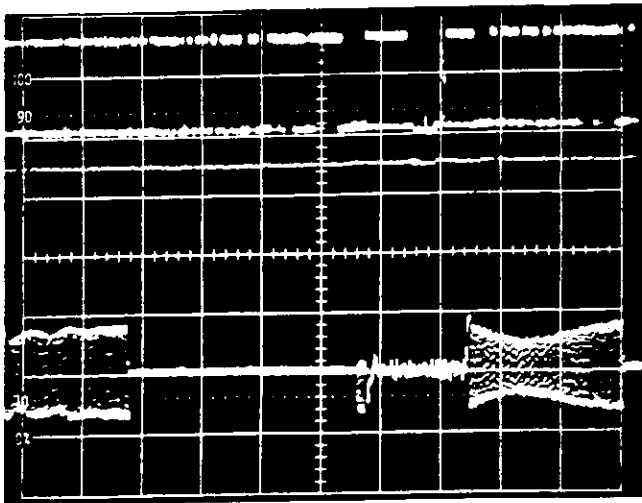


Photo-3.

Tracking mirror current
in SEARCH mode

upper: Video signal
lower: Tracking mirror current

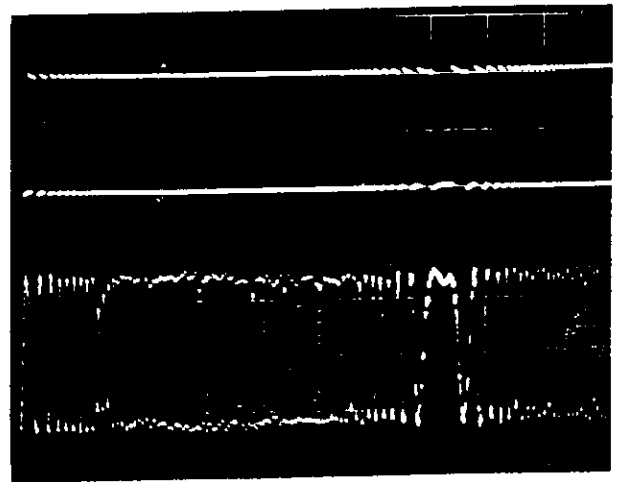


Photo-4.

ON TRACK signal

upper: ON TRACK signal
lower: Tracking error

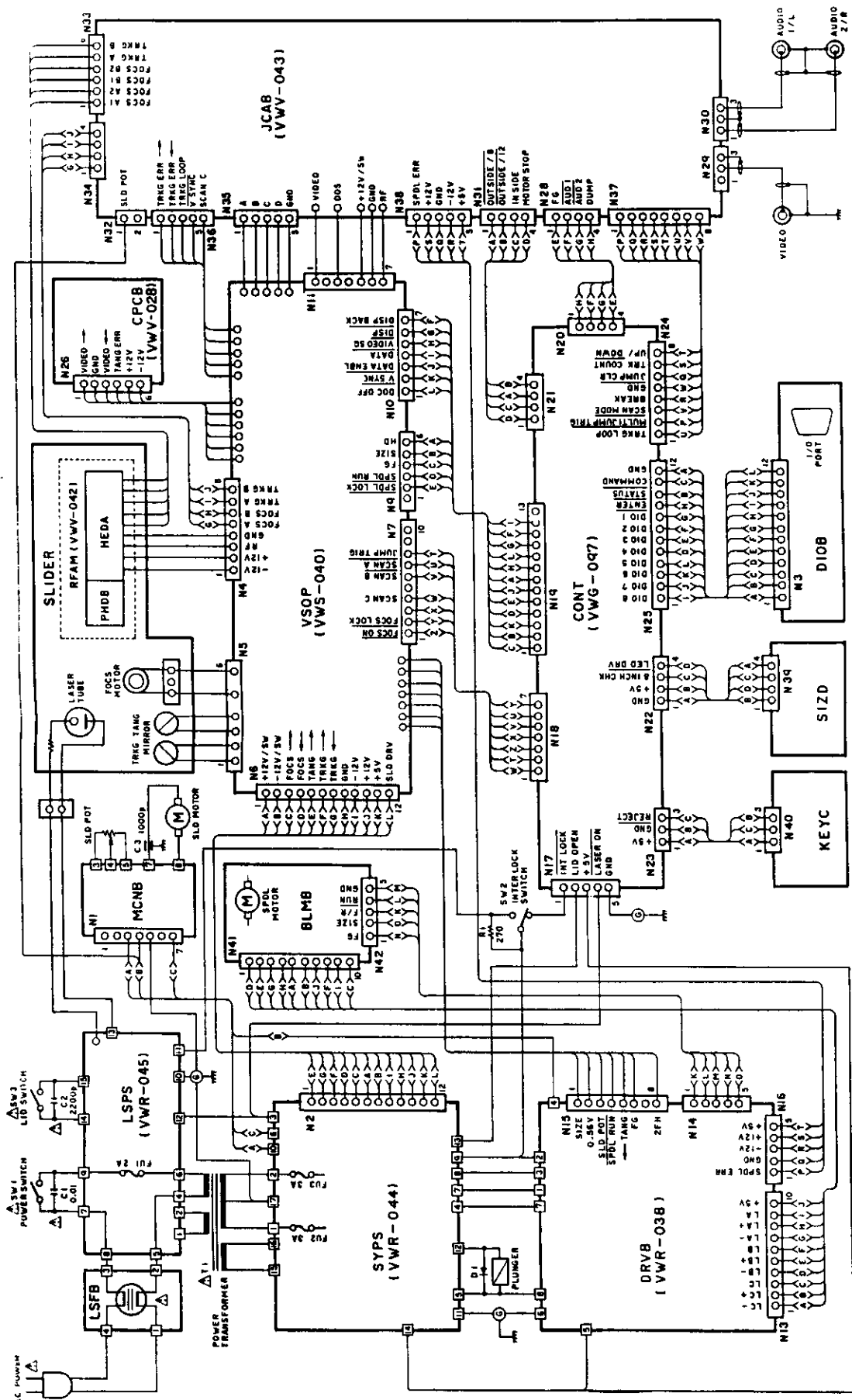
3. CIRCUIT DIAGRAMS AND PARTS LISTS

ELECTRICAL PARTS LIST

	<u>Mk. Parts No.</u>	<u>Description</u>
CIRCUIT BOARDS	VWR-044	SYPS
	VWR-045	LSPS
	▼ VWR-035	LSFB
	▼ VWM-002	MCNB
	VWR-038	DRVB
	VWV-042	RFAM
	VWV-043	JCAB
	VWS-040	VSOP
	VWV-028	CPCB
	VWG-097	CONT
	▼ VWG-098	KEYC
	▼ VWG-099	SIZD
	▼ VWG-100	DIOB
	OTHERS	VTT-034
VXM-029		Spindle motor
VXM-030		Slider motor
VXP-005		Plunger
VGX-043		Slider assembly
VSA-006		SW1 Power switch
VSF-006		SW2 Interlock switch
VSF-007		SW3 Lid switch
SM1A-02		D1
RD1/4PM271J		R1
VCS-005		Potentiometer
VCG-011		C1
VCG-013		C2
VCG-005		C3
VDG-016		Power cord

Note: ▼ marked parts are not supplied
as service parts.

3-1. OVERALL CONNECTIONS



A

B

C

D

1

2

3

4

5

6

1

2

3

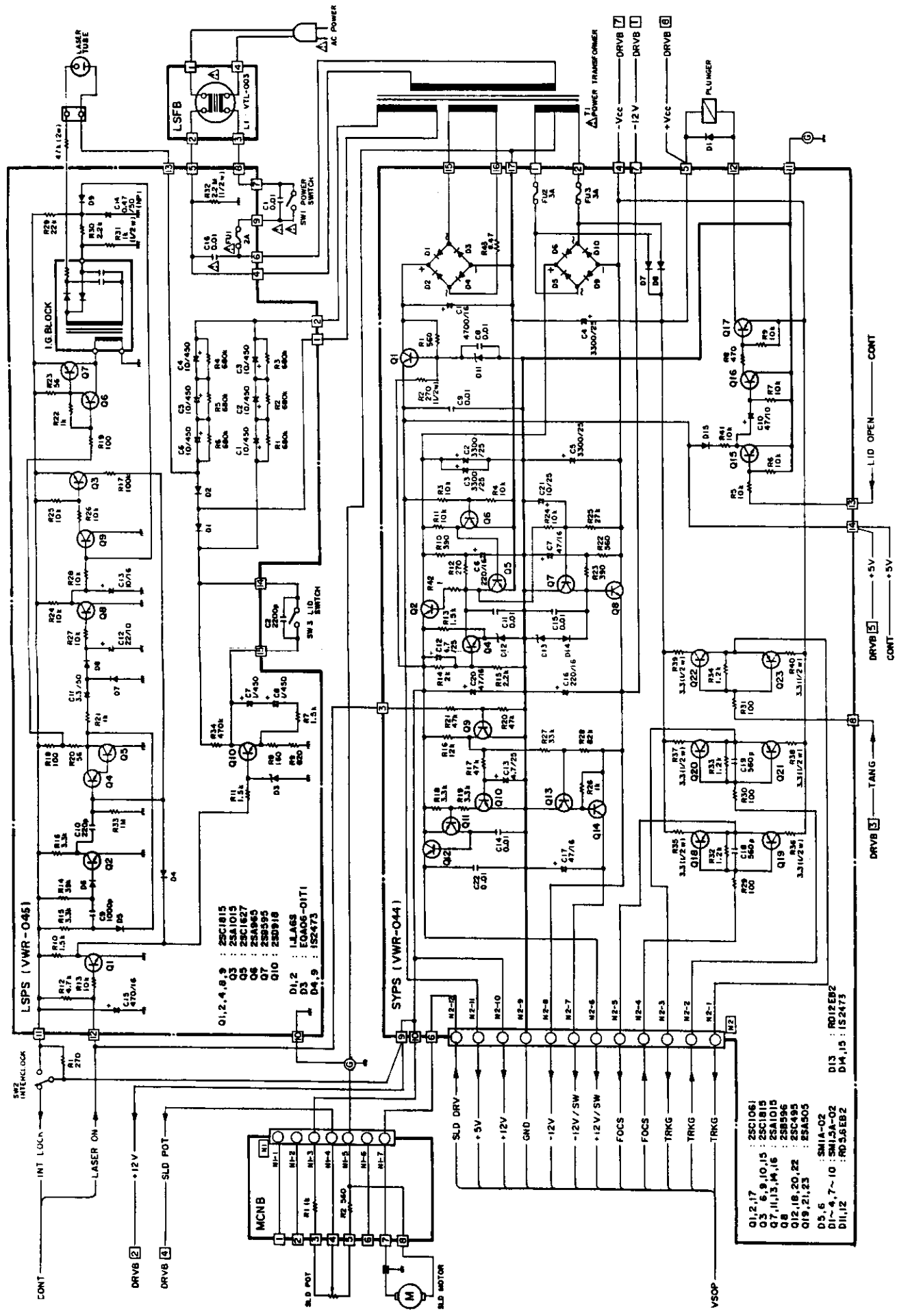
4

5

6

1 2 3 4 5 6

3-2. SYPS (VWR-044), LSPS(VWR-045),
LSFB (VWR-035) AND MCNB (VJM-002)



- Q1,2,17 : 25C1061
- Q3 : 25C1815
- Q7,11,15,16 : 25A1015
- Q8 : 25B996
- Q12,18,20,22 : 25C495
- Q19,21,23 : 25A505
- Q5,6 : SM1A-02
- D1~4,7~10 : SM13A-02
- D11,12 : RD3.5EB2

- Q1,2,4,8,9 : 25C1815
- Q3 : 25A1015
- Q5 : 25A1027
- Q6 : 25B996
- Q7 : 25B996
- Q10 : 25B916
- D1,2 : 1JLAS
- D3 : EGADG-01T1
- D4,9 : IS2473

CONT INT LOCK LASER ON +12V SLD POT
 DRIVE 2 DRIVE 3
 MCNB
 SLD MOTOR
 SYPS (VWR-044)
 LSPS (VWR-045)
 LSFB (VWR-035)
 I.G. BLOCK
 AC POWER
 SWI POWER SWITCH
 T1 POWER TRANSFORMER
 +Vcc -12V -Vcc
 DRIVE 4 DRIVE 5 DRIVE 6
 CONT LID OPEN CONT
 DRIVE 7 TANG
 DRIVE 8
 DRIVE 9
 DRIVE 10
 DRIVE 11
 DRIVE 12
 DRIVE 13
 DRIVE 14
 DRIVE 15
 DRIVE 16
 DRIVE 17
 DRIVE 18
 DRIVE 19
 DRIVE 20
 DRIVE 21
 DRIVE 22
 DRIVE 23
 DRIVE 24
 DRIVE 25
 DRIVE 26
 DRIVE 27
 DRIVE 28
 DRIVE 29
 DRIVE 30
 DRIVE 31
 DRIVE 32
 DRIVE 33
 DRIVE 34
 DRIVE 35
 DRIVE 36
 DRIVE 37
 DRIVE 38
 DRIVE 39
 DRIVE 40
 DRIVE 41
 DRIVE 42
 DRIVE 43
 DRIVE 44
 DRIVE 45
 DRIVE 46
 DRIVE 47
 DRIVE 48
 DRIVE 49
 DRIVE 50
 DRIVE 51
 DRIVE 52
 DRIVE 53
 DRIVE 54
 DRIVE 55
 DRIVE 56
 DRIVE 57
 DRIVE 58
 DRIVE 59
 DRIVE 60
 DRIVE 61
 DRIVE 62
 DRIVE 63
 DRIVE 64
 DRIVE 65
 DRIVE 66
 DRIVE 67
 DRIVE 68
 DRIVE 69
 DRIVE 70
 DRIVE 71
 DRIVE 72
 DRIVE 73
 DRIVE 74
 DRIVE 75
 DRIVE 76
 DRIVE 77
 DRIVE 78
 DRIVE 79
 DRIVE 80
 DRIVE 81
 DRIVE 82
 DRIVE 83
 DRIVE 84
 DRIVE 85
 DRIVE 86
 DRIVE 87
 DRIVE 88
 DRIVE 89
 DRIVE 90
 DRIVE 91
 DRIVE 92
 DRIVE 93
 DRIVE 94
 DRIVE 95
 DRIVE 96
 DRIVE 97
 DRIVE 98
 DRIVE 99
 DRIVE 100

SYPS(VWR-044)

Part No.	Ref No.,	Descriptions
2SC1061-B/C	Q 1, 2, 17	
2SC1815-Y	Q 4	
2SC1815-0/Y/GR	Q 5, 6, 9, 10, 15	
(2SC2320-E/F) (2SC2603-E/F) 2SA1015-0/Y	Q 7, 11, 13, 14, 16	
2S8596-0/Y	Q 8	
2SC495-0/Y	Q 12, 18, 20, 22	
2SA505-0/Y	Q 19, 21, 23	
SM1.5A-02	D 1- 4, 7- 10	
SM1A-02	D 5, 6	
RD5.6EB2	D 11, 12	
RD12EB2	D 13	
1S2473	D 14, 15	
RD1/4PM000J	R 1, 3- 11, 13, 16- 34, 41, 42	
RD1/2VS271J	R 2	
RN1/4PR0000F	R 14, 15	
RD1/2VS3R3J	R 35- 40	
VCN-116	R 43	
CEA472M16	C 1	
VCH-009	C 2- 5	3300/25
CEA221M16	C 6, 16	
CEA470M16	C 7, 17, 20	
CKDYF103Z50	C 8, 9, 11, 14, 15, 22	
CEA470M10	C 10	
CEA4R7M25	C 12, 13	
CKDYB561K50	C 18, 19	
CEA100M25	C 21	
VEK-006	FU 2, 3	Fuse 3A
VEC-028		Spacer
VEC-072		Insulator/mica
VEC-101		Insulator/silicon
VBA-003		Screw
VKR-001		Fuse holder

MCNB(VWM-002)

Part No.	Ref No.,	Descriptions
RD1/4PM000J	R 1, 2	

LSPS(VWR-045)

Part No.	Ref No.,	Descriptions
2SC1815-0/Y/GR	Q 1, 2, 8, 9	
(2SC2320-E/F) (2SC2603-E/F) 2SA1015-0/Y/GR	Q 3	
2SC1815-0/Y	Q 4	
2SC1627-0/Y	Q 5	
2SA965-0/Y	Q 6	
2S8595-0/Y	Q 7	
2SD818	Q 10	
GHV-03Z (GHV-03SSN) (1JLA6S)	D 1, 2	
EQA01-06TI	D 3	
1S2473	D 4- 9	
RD1/4PM000J	R 1- 8, 10- 30, 33, 34	
RN1/4PR8200F	R 9	
RD1/2VS102J	R 31	
VCH-003	C 1- 6	10/450
VCH-010	C 7, 8	1/450
CKDYB102K50	C 9	
CCDSL221J50	C 10	
CEA3R3M50	C 11	
CEA220M10	C 12	
CEA100M16	C 13	
CEAR47M50NP	C 14	
CEA471M16	C 15	
VCG-011	C 16	0.01uF
VEK-004	FU 1	Fuse 2A
VKR-001		Fuse holder
VDA-022		H.V. cord
VKN-049		H.V. cap
VCA-004		I.G. block

LSFB(VWR-035)

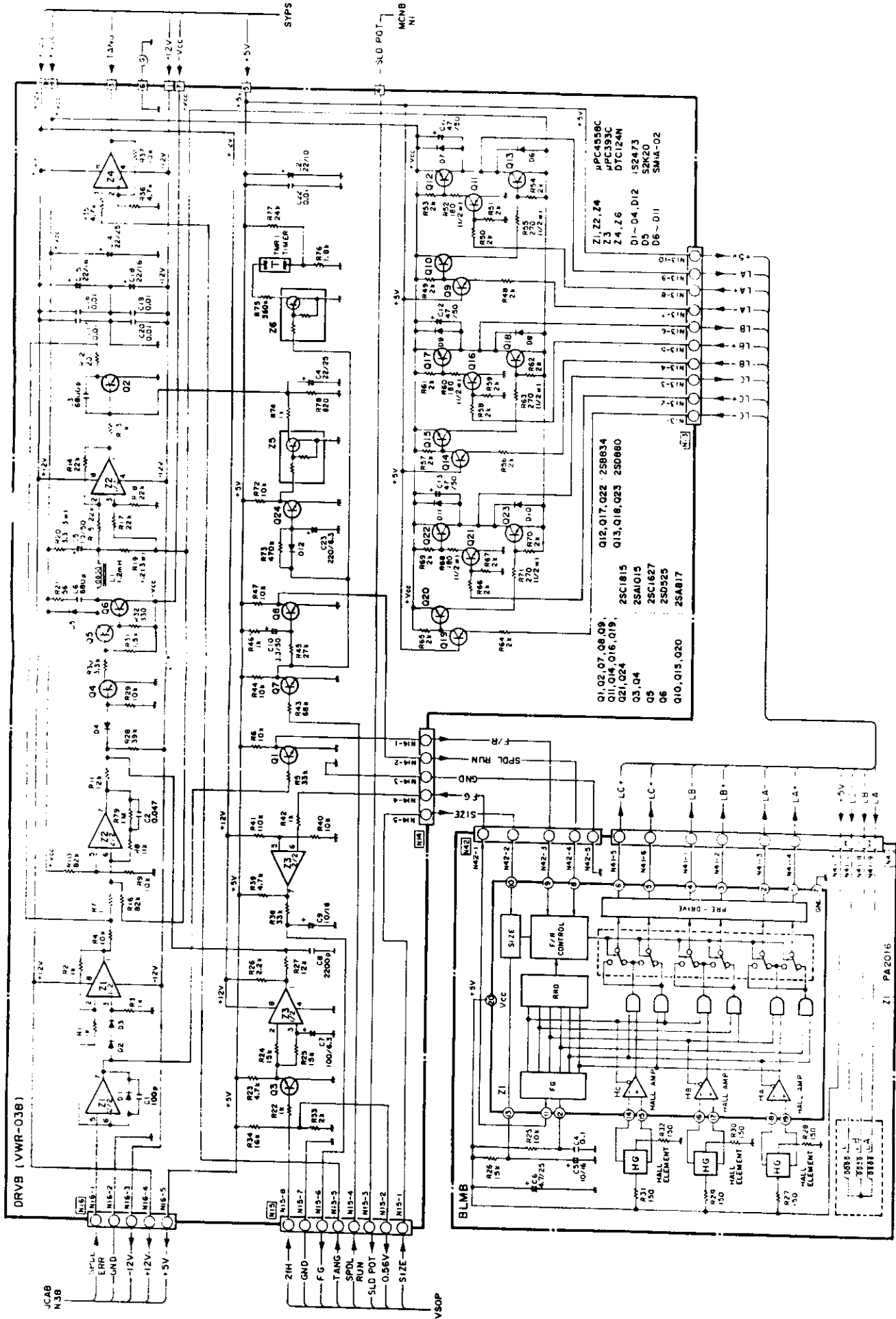
Part No.	Ref No.,	Descriptions
VTL-003 (VTL-004)	L 1	Line filter

Note: LSFB and MCNB are not supplied as service parts.

DRVB (VWR-038)

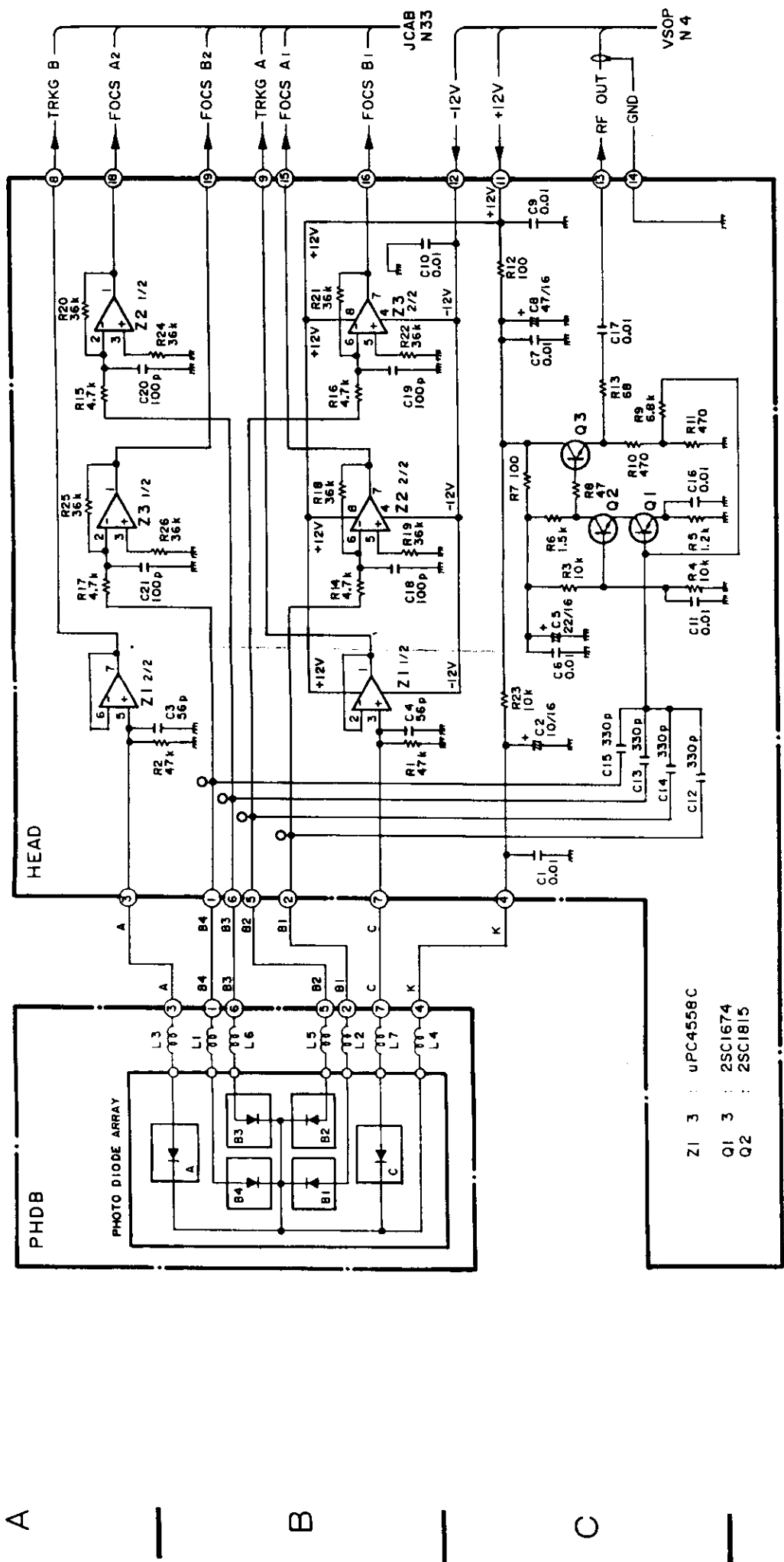
Part No.	Ref No.,	Descriptions
UPC4558C (NJM45580)	Z 1, 2, 4	
UPC393C	Z 3	
DTC124N	Z 5, 6	
2SC1815-Y/GR	Q 1, 2, 7- 9, 11, 14, 16, 19, 21	
2SA1015-Y/GR	Q 3, 4	
2SC1627-O/Y	Q 5	
2SD525-O/Y	Q 6	
2SA817-O/Y	Q 10, 15, 20	
2SB834-Y/GR	Q 12, 17, 22	
2SD800-Y/GR	Q 13, 18, 23	
2SC1015-GR	Q 24	
1S2473	D 1- 4, 12	
S2K20	D 5	
SM1A-02	D 6- 11	
RD1/4PM000J	R 1- 13, 16, 21- 51, 53, 54, 56- 59, 61, 62, 64- 67, 69, 70, 72- 79	
RN1/4PR2202F	R 14, 15, 17, 18	
VCN-092	R 19 1.2/3W	
VCN-098	R 20 3.3/3W	
RD1/2VS000J	R 52, 55, 60, 63, 68, 71	
CCDSL101J50	C 1	
CQMA473J50	C 2	
CKDYB682K50	C 3	
CEA220M25	C 4, 14	
CEA100M50	C 5	
CKDYB681K50	C 6	
CEA101M6R3	C 7	
CQMA222J50	C 8	
CEA100M16	C 9	
CEA3R3M50	C 10	
CEA470M50	C 11- 13	
CEA220M16	C 15, 18	
CKDYF103Z50	C 16, 17, 19, 20, 22	
CEA220M10	C 21	
CEA221M6R3	C 23	
VTT-021	L 1 1.2mH	
VKR-001	Fuse holder	
VEC-028	Spacer	
VEC-101	Isolater	
VBA-003	Screw	

3-3. DRVB (VWR-038) AND BLMB



1 2 3 4 5 6

1 2 3 4 5 6



- Z1 3 : uPC4558C
- Q1 3 : 2SC1674
- Q2 : 2SC1815

RFAM(VWV-042)

Part No.	Ref No.,	Descriptions
UPC4558C	Z	1- 3
2SC1674-L/K (2SC2786-L/K)	Q	1, 3
2SC1815-Y	Q	2
RD1/4PM000J	R	1- 17, 19, 22- 24, 26
RN1/4PR3602F	R	18, 20, 21, 25
CKDYF103Z50	C	1, 6, 7, 9- 11, 16, 17
CEA100M16	C	2
CCDSL560J50	C	3, 4
CEA220M16	C	5
CEA470M16	C	8
CCDSL331K50	C	12- 15
CCDSL101J50	C	18- 21
VTF-011	L	1- 7
VKP-315		Conn.cords
VKP-314		Conn.cords

Part No.	Ref No.,	Descriptions
PA3001A	Z 1, 2	
TC4016BP	Z 3	
UPC4558C	Z 4,501,509,510	
(NJM4558D)		
UPC393C	Z 5,503	
UPC339C	Z 6	
TL082CP	Z 502,507	
SN74LS123N	Z 504	
(HD74LS123P)		
SN74LS221N	Z 505	
(HD74LS221P)		
DTC114F	Z 511-514	
2SC1815-Y/GR	Q 1- 3, 7,525,529	
2SC1815-O/Y/GR	Q 4- 6, 8- 11,505,508,509, 511,517,518,520,522,523	
2SC1815-O/Y/GR	Q 12,506,507,513,514,519,524, 526-528	
2SK30A-Y	Q 501,503	
1S2473	D 1, 2,501-509,516-520,522- 524	
RD1/4PM000J	R 1- 87,501-512,517-530 532,533,536-559,561,571 572,575,576,578-591,593-616 618,619	
RN1/4PR6001F	R 513-516	
VCP-025	VR 1, 2 2.2k	
VCP-006	VR 3- 5,502,503 4.7k	
VCP-008	VR501 22k	
VCP-009	VR504 47k	
CEA4R7M25	C 1, 10, 61, 62	
CKDYF103Z50	C 2, 3, 8, 11, 13- 18, 20, 21, 26, 29- 34, 36, 37, 44, 48, 63, 68- 71,528,529	
CCDCH240J50	C 4, 6	
CCDCH820J50	C 5	
CKDYB102K50	C 7, 19, 35, 65,504,520	
CEA470M16	C 9, 47, 49,526,527	
CEA101M16	C 12, 28, 43, 46	
CEA101M6R3	C 22, 38, 45	
CCDSL431J50	C 23	
CQMA152J50	C 24, 40	
CKDYB681K50	C 25, 41	
CEA010M50	C 27, 42, 53, 56, 72	
CCDSL331J50	C 39,502,518	
CEA471M16	C 50	
CQMA472J50	C 51, 54	
CQMA272J50	C 52, 55	
CKDYF333Z50	C 57	
CQMA683J50	C 58, 60,511	
CQMA273J50	C 59	
CKDYB331K50	C 64	

Part No.	Ref No.,	Descriptions
CKDYB152K50	C 66, 67	
CKDYF473Z50	C 73	
CEA100M16	C 74	
CQMA333J50	C 501	
CQMA153J50	C 503	
CQMA122J50	C 505	
CQMA682J50	C 506	
CQMA223J50	C 508	
CQMA154J50	C 509	
CEAR47M50	C 510,513	
CEA010M50NP	C 512	
CEAR47M50NP	C 513	
CQMA122J50	C 515	
CCDSL560J50	C 521	
CCDSL121J50	C 522,524	
CEA3R3M16NP	C 523	
CEA4R7M16NP	C 525	
CQMA473J50	C 530	
CQMA222J50	C 531	
CKDYB021K50	C 532	
VTL-048	L 1, 2 62uH	
(VTL-068)		
VTL-024	L 3, 5 12uH	
(VTL-062)		
VTL-024	L 4 12uH	
(VTL-062)		
VTL-023	L 6 10uH	
(VTL-061)		
VTF-006	VL 1, 2 18uH	
(VTF-021)		
VTF-051	F 1 2.3MHz BPF	
VTF-052	F 2 2.8MHz BPF	

VSOP (VWS-040)

Part No.	Ref No.,	Descriptions
UPC4558C (NJM4558D)	Z 1, 4	
UPC4560C (UPC4559C)	Z 2	
LM393P (UPC393C)	Z 3,402	
UM4004	Z 5	
UA5001	Z 201	
UA5002	Z 202	
TC4024BP (MB84024BM)	Z 401	
UM5003	Z 403	
HO74LS107P (SN74LS107AN)	Z 404	
UM3001	Z 405	
UM3002 (UM3002A)	Z 406	
2SC1815-O/Y/GR	Q 1, 2, 5- 8, 10, 14- 16, 201,202,205-210,212-219,401- 403,405,409,412,416,420,424- 433,436	
(2SC1740-Q/R)R 2SK30A-Y/GR	Q 3, 17,410,411,413-415,417- 419	
2SA1015-O/Y/GR	Q 4,203,211,404,406,434	
2SC1815-Y/GR	Q 9,435	
2SK30A-Y	Q 11	
2SC495-O/Y	Q 12,407	
2SA505-O/Y 2SK192A-Y (2SK19TM-Y)	Q 13,408 Q 204	
DA90-R 1S2473	D 1, 2,203 D 3, 5- 17,202,204,206-208, 403-415,417,418,421	
RD9.1EB3 RD15EB3 RD10EB2 RD6.8EB3 (EQA01-07R2)	D 4 D 18 D 201,205 D 401,402	
RD1/4PM000J	R 1- 30, 32- 74, 77, 80- 82, 84- 90, 92, 94-101,104-107, 109,110,112-124,201-248,250- 279,282-284,401-412,414-425, 427-479,483-492,509,518,523- 525,527-534,536-544,550-569, 572,573,575-581	
RD1/2VS000J	R 31, 93,102,103,426,480,526	
RN1/4PR0000F	R 513-516	
VCP-029	VR 1, 4 47k	
VCP-026	VR 2,204,401 4.7k	
VCP-024	VR 3,201,202 1K	
VCP-027	VR 6, 7 10K	
VCP-028	VP203,404,406 22K	
VCP-022	VR405 220	

Part No.	Ref No.,	Descriptions
CKDYF223Z50	C 1, 8, 16, 27,406,407,412, 443,444,452,469	
CEAR47M50NP CQMA153J50 CQMA103J50 CKDYF103Z50	C 2, 5, 12 C 3 C 4,418 C 6, 7, 30, 31, 34, 35,201, 203,206,207,209,210,218,220, 221,223,225-230,239,240,249- 252,265,269,272,277-279,411	
CEA010M50NP	C 9, 15, 20,261,264,428,431, 464	
CKDYB102K50	C 10,222,453,460	
CEA100M16NP	C 11,421,459	
CQMA392J50 CEA010M50 CQMA472J50	C 18 C 19, 21 C 22,401,430,435	
CQMA223J50 CEA4R7M16NP CQMA333J50	C 23 C 24,437,451 C 25,262,281	
CQMA104J50 CEA100M16	C 26,423 C 28, 29, 32, 33,202,204,208, 238,241,247,248,253,257,266, 275,276,285,287,463	
CCDSL271J50 CCDCH560J50 CCDCH080D50	C 205,217 C 211,212 C 213,215,232,234	
CCDCH220J50 CCDSL181J50	C 214 C 216,255	
CEA470M16 CCDSL220J50 CCDCH150J50 CCDCH330J50 CCDUJ470J50	C 219,231,270 C 224 C 233 C 235,236 C 237	
CCDSL510J50 CCDSL161J50 CCDSL201J50 CCDSL151J50 CCDSL101J50	C 242,284 C 243 C 244,245 C 246,267 C 254,403,404,450	
CQMA823J50	C 256	
CCDSL820J50 CCDSL221J50 CQMA563J50 CCDCH360J50 CCDSL150J50	C 258,260,417 C 259,426 C 263 C 268 C 271	
CCDSL121J50 CCDSL620J50 CCDCH470J50 CEA220M16NP CQMA183J50	C 273,283,405 C 274 C 280 C 282 C 402,420	
CQMA272J50	C 408	

VSOP (VWS-040) cont.

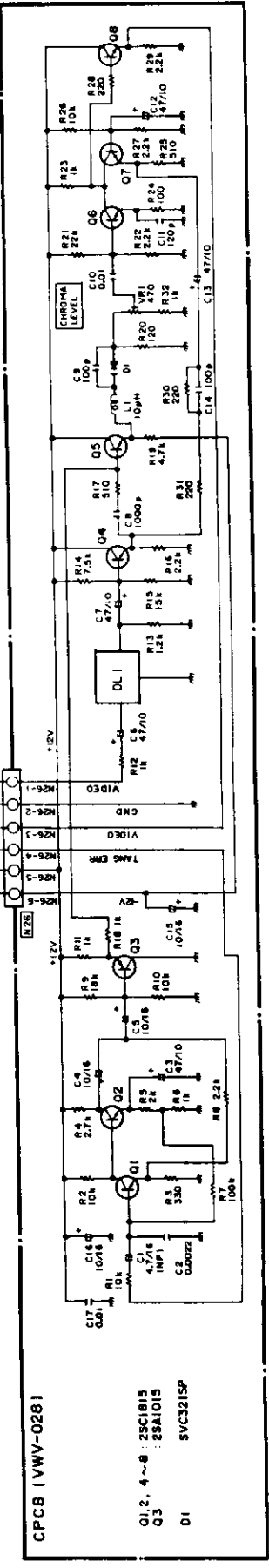
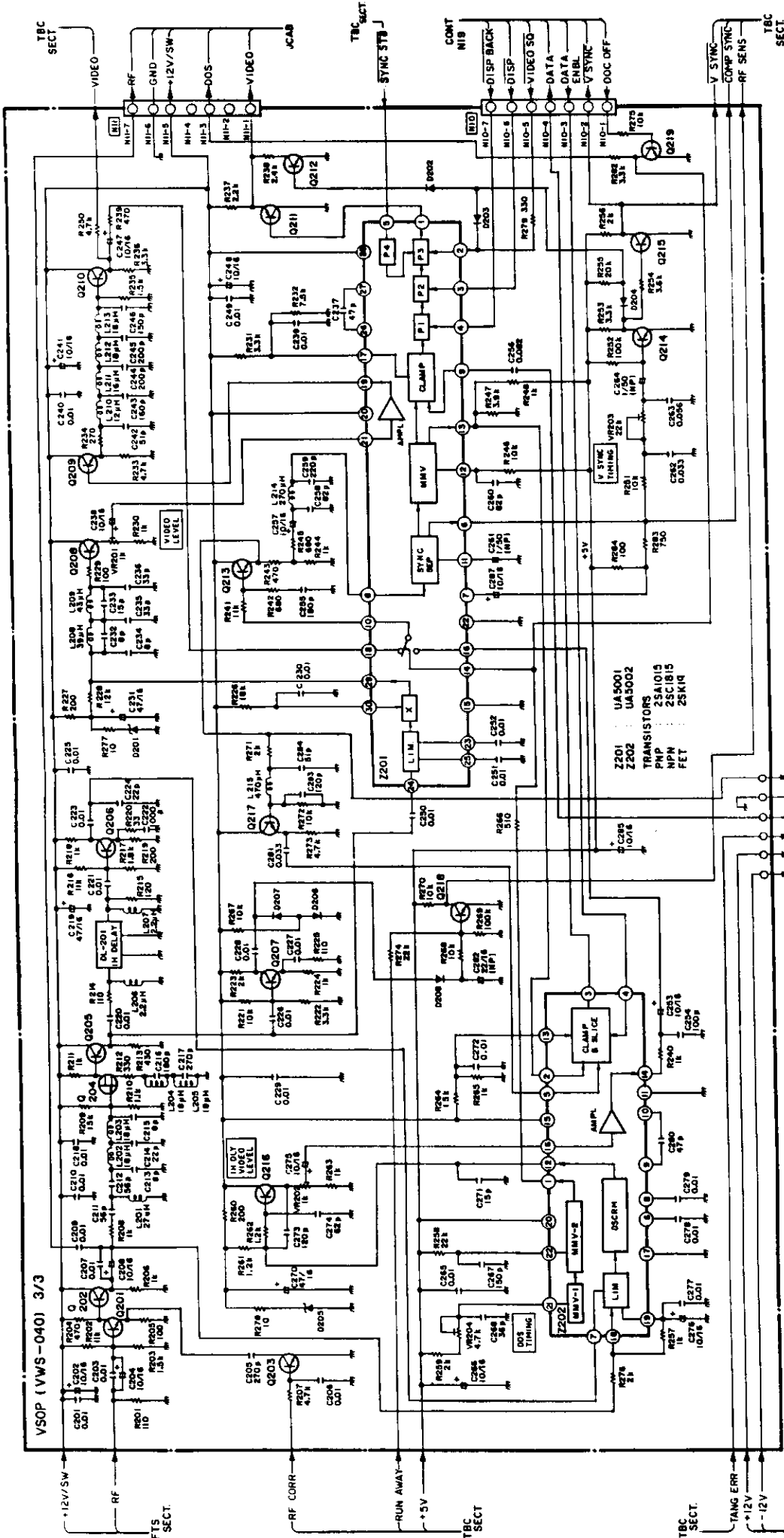
Part No.	Ref No.,	Descriptions
CEA470M10	C 409,413,442,445,458	
CQMA122J50	C 410	
CQSH102J50	C 414	
CQMA332J50	C 415	
CQSH681J50	C 416,419	
CEA220M6R3NP	C 422	
CQMA683J50	C 424	
CQMA222J50	C 425,455	
CEA3R3M16NP	C 427	
CQMA102J50	C 429	
CQMA273J50	C 432	
CQMA473J50	C 433,436,462	
CCDSL470J50	C 434,454,456	
CEA470M6R3NP	C 439	
VCE-007	C 461	0.1uF
CEA220M10	C 465,467,471	
CCDSL331J50	C 466	
VCM-004 (VCM-005)	VC401	
VTL-028 (VTL-065)	L 201	27uH
VTL-026 (VTL-064)	L 202-205,212,213	18uH
VTL-015 (VTL-060)	L 206,207	2.2uH
VTL-030 (VTL-066)	L 208	39uH
VTL-051 (VTL-067)	L 209	43uH
VTL-024 (VTL-062)	L 210	12uH
VTL-056 (VTL-063)	L 211	16uH
VTL-040 (VTL-073)	L 214	270uH
VTL-043 (VTL-069)	L 215	470uH
VTL-076	L 401	1mH
VTF-019 (VTF-022)	VL401	12uH
VSS-005 (VSS-010)	X 401	31.5kHz
D33A D22A	TH 1 TH401	
VTF-012 (VTF-030) (VTF-013)	DL201	1H D1y

CPCB (VWV-028)

Part No.	Ref No.,	Descriptions
2SC1815-0/Y/GR	Q 1, 2, 4- 8	
(2SC2021-Q/R/S) (2SC1740-Q/R/S)		
2SA1015-0/Y/GR	Q 3	
SVC321SP-B1/D1	D 1	
RD1/4PM000J	R 1- 32	
VCP-023	VR 1	470
CEA4R7M16NP	C 1	
CKDYB222K50	C 2	
CEA470M10	C 3- 7, 12, 13, 15, 16	
CEA100M16	C 4, 5, 15, 16	
CEA470M10	C 6	
CKDYB102K50	C 8	
CCDSL101J50	C 9, 14	
CKDYF103Z50	C 10, 17	
CCDSL121J50	C 11	
VTL-023 (VTL-061)	L 1	10uH
VTF-032		0.5uS D1y

1 2 3 4 5 6

VSOP / VDEM SECTION AND CPCB



1 2 3 4 5 6

CONT (VWG-097)

Part No.	Ref No.,	Descriptions
LH-0080A (LH-0080)	Z 1	
LH-0082A (LH-0082) (MPD2764D)	Z 2	
HM6116P-4	Z 4	
UPD8255AC-5	Z 5, 6	
SN74LS373N	Z 7	
SN74LS540N	Z 8	
PD0011	Z 9	
PD0010	Z 10	
TL7705CP	Z 11	
TC4516BP	Z 12, 13	
SN74LS139N (HD74LS139P)	Z 14	
TC40H004P	Z 15	
SN74S04N (HD74S04P)	Z 16	
TC4082BP	Z 17	
SN74LS74AN (HD74LS74AP)	Z 18	
TC4011BP	Z 19	
TC4001BP	Z 20	
SN74LS02N (HD74LS02P)	Z 21	
SN74LS00N (HD74LS00P)	Z 22	
SN74LS86N (HD74LS86P)	Z 23	
SN74LS10N (HD74LS10P)	Z 24	
SN74LS32N	Z 25	
SN74LS368AN (HD74LS368AP)	Z 26	
DTC124N	Z 27, 28	
2SA1015-0/Y/GR	Q 1	
2SC1815-0/Y/GR	Q 2	
1S2473	D 1	
RD1/4PM000J	R 1- 3, 5- 8, 10- 24, 27- 43	
RD1/2VS220J	R 4	
VCN-091	R 9	33k
VCN-097	R 25	3.3k
VCN-035	R 26	2.7k
CCDSL100D50	C 1, 2, 20, 23	
CCDSL330J50	C 3	
CKDYF103Z50	C 4, 7- 19, 21, 22, 26- 35	
CEA100M16	C 5	
CQMA104J50	C 6	
CCDSL470J50	C 24	
CEA471M10	C 25	
VCM-003	VC 1	50pF

Part No.	Ref No.,	Descriptions
VTL-155	L 1	200uH
VTL-039	L 2	220uH
VTH-005	F 1	
VSS-023	X 1	5MHz
VKH-018		40P socket
VKH-019		28P socket

KEYC (VWG-098)

Part No.	Ref No.,	Descriptions
TLR205	D 1	
RD1/4PM331J	R 1	
VSC-004	SW 1	

SIZD (VWG-099)

Part No.	Ref No.,	Descriptions
2SA1015-0/Y/GR	Q 1	
TPS605	Q 2	
TLR123	D 1	
RD1/4PM000J	R 1- 4	
VNL-179		Sensor cover

DIOB (VWG-100)

Part No.	Ref No.,	Descriptions
VKN-133		24P connector

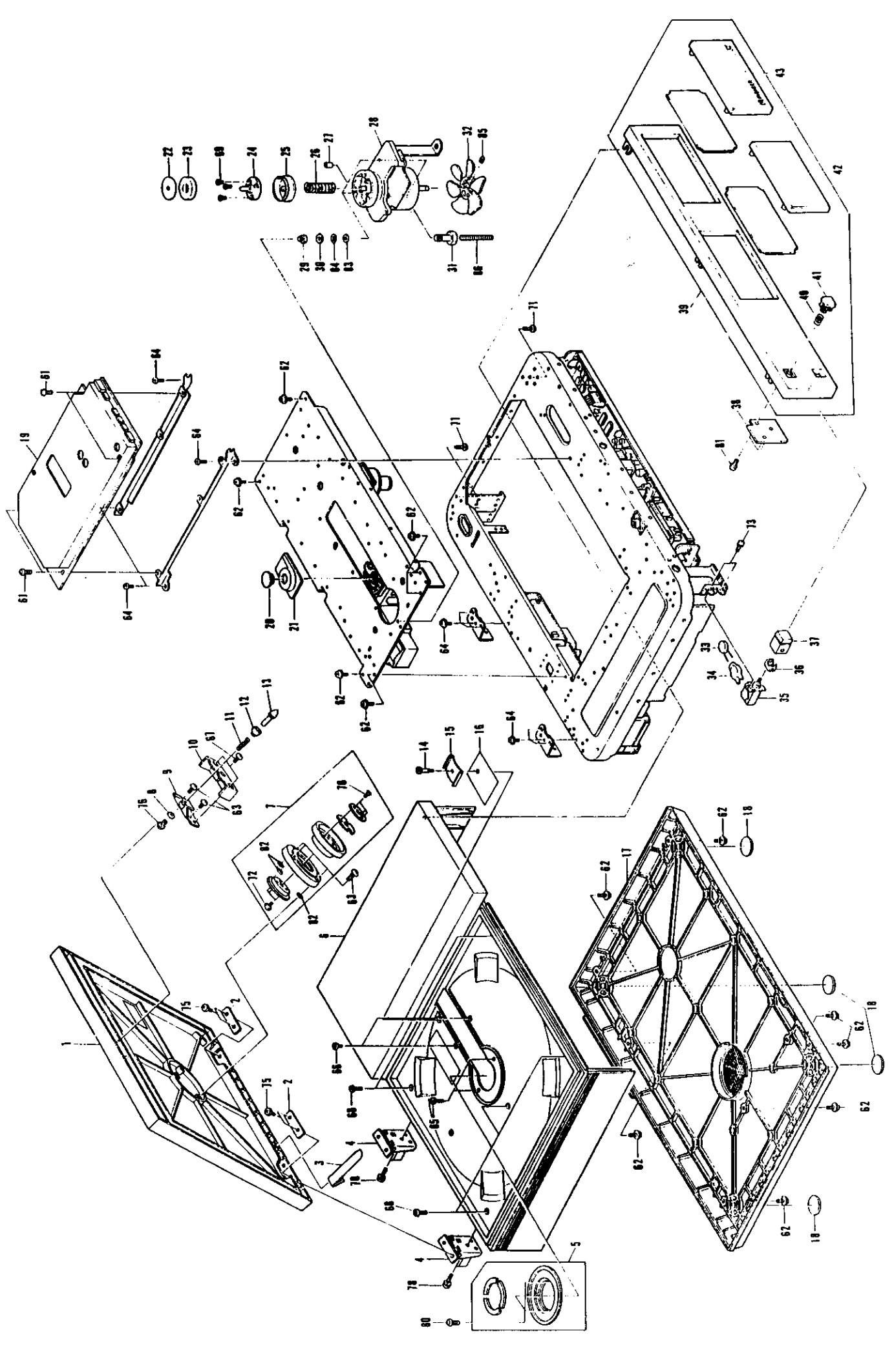
Note: KEYC, SIZD and DIOB are not supplied as service parts.

4. EXPLODED VIEWS AND PARTS LISTS

TOP VIEW PARTS LIST

No.	Parts No.	Description	No.	Parts No.	Description
1.	VXX-149	Hood assembly	61.	ACZ 30P060	FMC
2.	VNE-244	Plate	62.	AMZ 30P080	FMC
3.	VNE-286	Hood lever	63.	BBZ 30P080	FZK
4.	VXA-053	Hood hinge	64.	BCZ 30P050	FMC
5.	VXX-096	Turntable assembly	65.	BMZ 26P050	FMC
6.	—	Top housing	66.	BMZ 30P040	FZK
7.	VXX-041	Disc clammer	67.	BMZ 30P060	FZK
8.	VEB-038	Washer	68.	BMZ 30P080	FZK
9.	VNE-305	Interlock base	69.	CMZ 26P060	FMC
10.	VNL-141	Protector	70.	CMZ 26P080	FZK
11.	VBH-059	Spring	71.	IPZ 30P080	FMC
12.	VNL-022	Collar	72.	PMA 26P060	FMC
13.	VLA-060	Interlock pin	73.	PMA 30P060	FMC
14.	VLL-089	Shipping screw	74.	PMA 30P080	FMC
15.	VNE-276	Shipping plate	75.	PMA 40P120	FZK
16.	VRW-091	Caution tag	76.	PMB 26P060	FMC
17.	VXX-086	Bottom cover assembly	77.	PMB 30P080	FMC
18.	VED-008	Cushion	78.	PMB 30P100	FZK
19.	VWG-097	CONT	79.	PMZ 20P030	FMC
20.	VHA-012	Lens cap	80.	SMK 26H080	FZK
21.	VNH-027	Focus motor cover	81.	VPZ 30P060	FMC
22.	VEC-153	Yoke seal	82.	WA 30F080	N100
23.	VMX-001	Clammer magnet	83.	WB 50	FMC
24.	VXA-166	Yoke assembly	84.	WW 50	FBT
25.	VNV-018	Centering hab	85.	ZMD 30H040	FBT
26.	VBH-034	Spring	86.	ZMD 30H250	FBT
27.	VDM-007	Spacer			
28.	VXM-029	Spindle motor			
29.	VLL-092	Holding bolt			
30.	VLA-061	Nut			
31.	VLL-222	Adjustment bolt			
32.	VNM-001	Fin			
33.	VCG-011	Capacitor			
34.	VEC-063	Capacitor cover			
35.	VSA-006	Power switch			
36.	VEC-151	Flexible ring			
37.	VAC-225	Power switch button			
38.	—	KEYC			
39.	VXX-150	Front panel assembly			
40.	VBH-051	Spring			
41.	VAC-224	Reject key top			
42.	VNK-184	Window(L)			
43.	VKN-198	Window(R)			

1 2 3 4 5 6



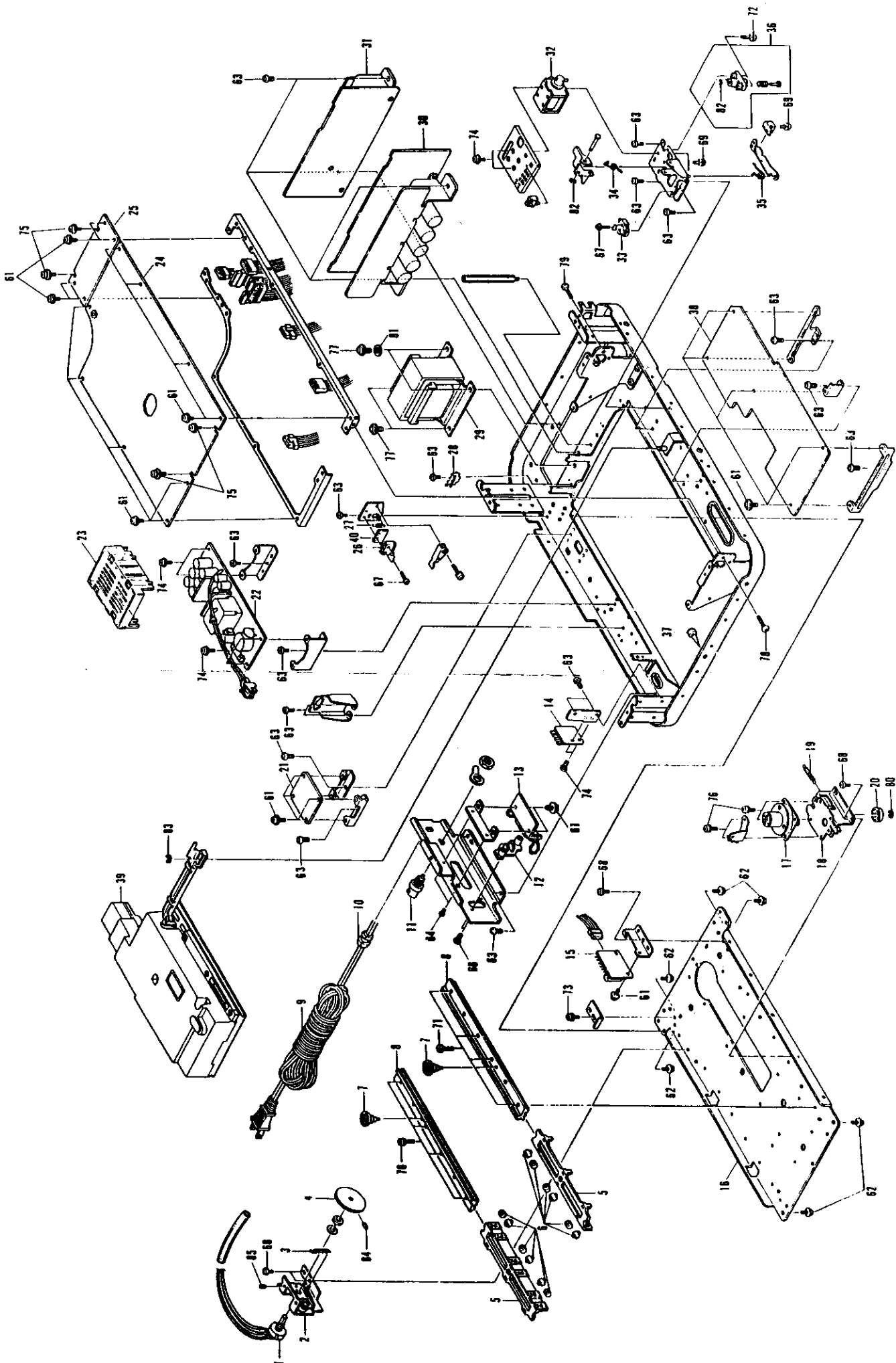
A B C D

A

B

C

D



A

B

C

D

6

5

4

3

2

1

6

5

4

3

2

1

BOTTOM VIEW PARTS LIST

No.	Parts No.	Description	No.	Parts No.	
1.	VCS-005	Potentiometer	61.	ACZ 30P060	FMC
2.	VXA-059	Gear assembly	62.	AMZ 30P080	FMC
3.	VBH-042	Spring	63.	BCZ 30P050	FMC
4.	VNL-045	Pinion	64.	BCZ 30P050	FZK
5.	VNL-031	Retainer	65.	BMZ 30P060	FZK
6.	VLL-121	Roller	66.	BPZ 30P080	FZK
7.	VXX-006	Retainer pinion assembly	67.	IMZ 20P100	FMC
8.	VNG-002	Rail	68.	PMA 30P050	FMC
9.	VDG-016	Power cord	69.	PMA 30P060	FMC
10.	VEC-027	Cord stopper	70.	PMA 30P120	FMC
11.	VKN-007	BNC jack	71.	PMA 30P120	FRD
12.	VKB-003	2P pin jack	72.	PMA 30P120	FZK
13.	—	DIOB	73.	PMA 40P060	FMC
14.	—	LSFB	74.	PMB 30P060	FMC
15.	—	MCNB	75.	PMB 30P080	FGN
16.	—	Mech. chassis	76.	PMB 30P080	FMC
17.	VXM-030	Slider motor	77.	PMB 40P080	FMC
18.	VXA-054	Motor holder	78.	VCZ 30P080	FMC
19.	VBH-041	Spring	79.	VCZ 30P100	FMC
20.	VNL-028	Pinion	80.	WA 17D035	D025
21.	—	SIZD	81.	WC 50	FMC
22.	VWR-045	LSPS	82.	YE 20	FUC
23.	VNH-023	H.V. cover	83.	YE 30	FUC
24.	VWS-040	VSOP	84.	ZMD 30H060	FBT
25.	VWV-028	CPCB	85.	ZMK 40H080	FBT
26.	VSF-007	Switch			
27.	VBH-040	Spring			
28.	VKC-005	4P terminal			
29.	VTT-034	Power transformer			
30.	VWR-044	SYPS			
31.	VWR-038	DRVB			
32.	VXP-005	Plunger			
33.	VSF-006	Switch			
34.	VBH-045	Spring			
35.	VBH-043	Spring			
36.	VXX-039	Pin guide assembly			
37.	VEB-031	Slider cushion			
38.	VWV-043	JCAB			
39.	VGX-043	Slider assembly			
40.	VEC-099	Insulator			

SLIDER PARTS LIST

No.	Parts No.	Description	No.	Parts No.
1.	—	Dust cover	41.	BMZ 30P060 FMC
2.	VDA-013	H.V. cord assembly	42.	CMZ 30P080 FBT
3.	VEB-032	Bushing	43.	PMA 26P100 FMC
4.	VNE-212	Tube holder	44.	PMA 30P060 FMC
5.	VED-014	Tube cushion	45.	PMA 30P080 FMC
6.	VGN-004 (VGN-005)	Laser tube	46.	PMA 30P100 FMC
7.	VXX-021	Vinyl tube	47.	PMB 30P060 FMC
8.	VDM-001	Insulator pipe	48.	PMB 30P080 FMC
9.	VCN-014	Resistor (47kohms/2W)	49.	PMB 30P100 FMC
10.	—	Radiation shield	50.	PMZ 20P040 FMC
11.	VNL-044	Rack(G)	51.	SMK 30H080 FBT
12.	VNE-261	Grating holder	52.	SMK 30H120 FBT
13.	VGX-022	Grating assembly	53.	VCZ 30P060 FMC
14.	VGX-018	DG lens assembly	54.	WA 26N050 W050
15.	—	Prism	55.	YE 30 FUC
16.	VNE-148	Wave plate holder	56.	ZMR 30H080 FBT
17.	VGX-016	Wave plate assembly		
18.	VGX-024	Servo mirror assembly		
19.	VGX-015	Fixed mirror assembly		
20.	—	Slider base		
21.	VEC-051	Mask plate		
22.	VGX-020	Photo-detector assembly		
23.	VLP-003	Photo-detector spacer		
24.	VWV-042	RFAM		
25.	VGX-026	Objective assembly		
26.	VNH-027	Focus motor cover		
27.	VHA-012	Lens cap		
28.	VNL-029	Rack(N)		

1

2

3

A

A

B

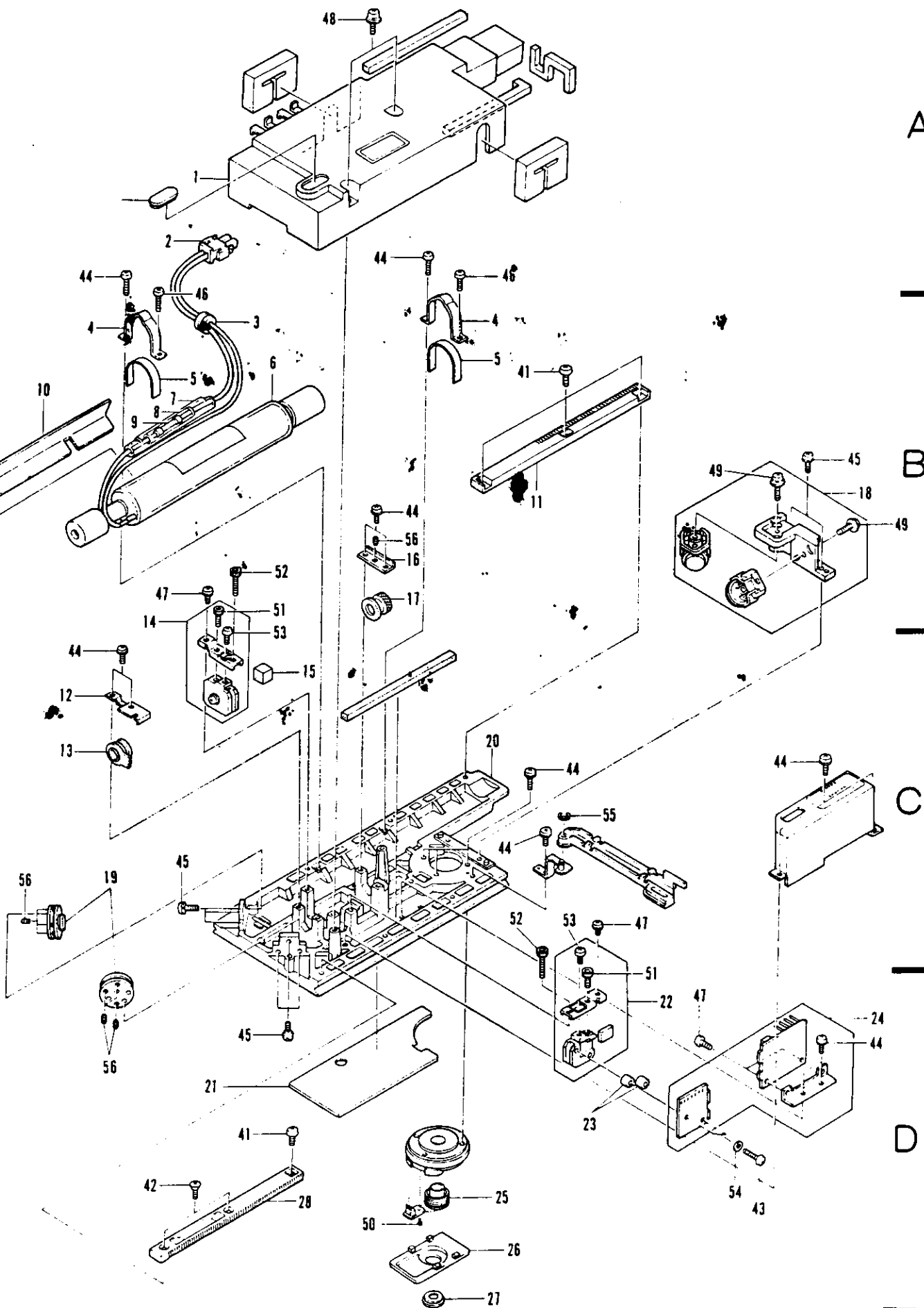
B

C

C

D

D



1

2

3