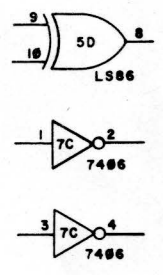


REVISIONS				
SYM	DESCRIPTION	DATE	CHK	APPD
A	ISSUED E.I. 3019			

SPARE GATES



LS374	20		10	
LS245	20		10	
LS174	16		8	
LS164	14		7	
LS161	5,6,10,16		3,4,8	
LS138	6,16		8	
LS86	14		7	
LS74	14,12,10		7	
LS10	14		7	
LS04	14		7	
LS02	14		5,7,9,11	
LM318	7*	4	7†	
9128	33		12	
7406	14		7	
4416	9		1,18	
4066	14		7	
555	4,8		1	
I.C. TYPE	+5V	-5V	+12V	GND
				PIN NO.

DR J. MACKROLA 10/83
 THESE DRAWINGS AND SPECIFICATIONS ARE THE EXCLUSIVE PROPERTY OF URL/A STERN ELECTRONICS COMPANY. ISSUED IN STRICT CONFIDENCE AND SHALL NOT WITHOUT THE PRIOR WRITTEN PERMISSION OF UNIVERSAL RESEARCH LABORATORIES BE REPRODUCED, COPIED, OR USED FOR ANY PURPOSE WHATSOEVER EXCEPT THE MANUFACTURE OF ARTICLES FOR UNIVERSAL RESEARCH LABORATORIES INC.

CHK
 APPD
 APPD
 SCALE MODEL
 GSI-1000
 DO NOT SCALE DRAWING

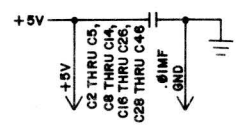
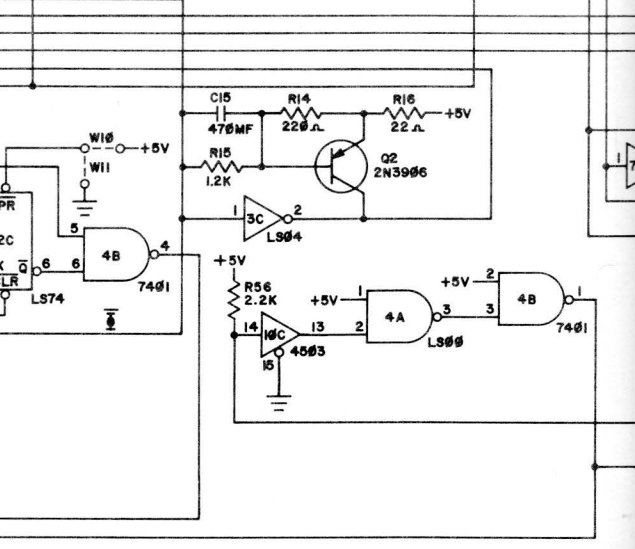
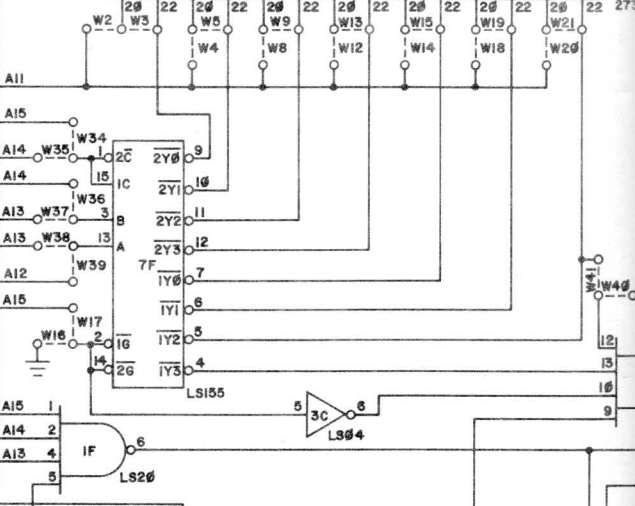
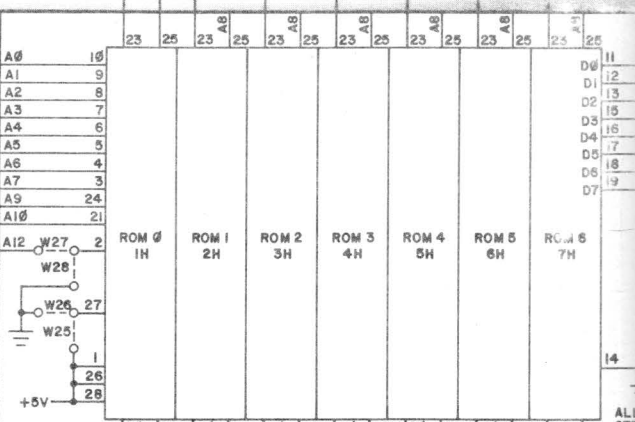
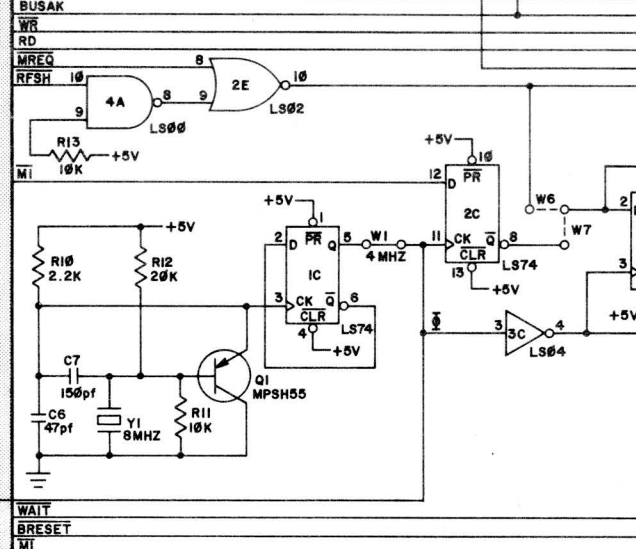
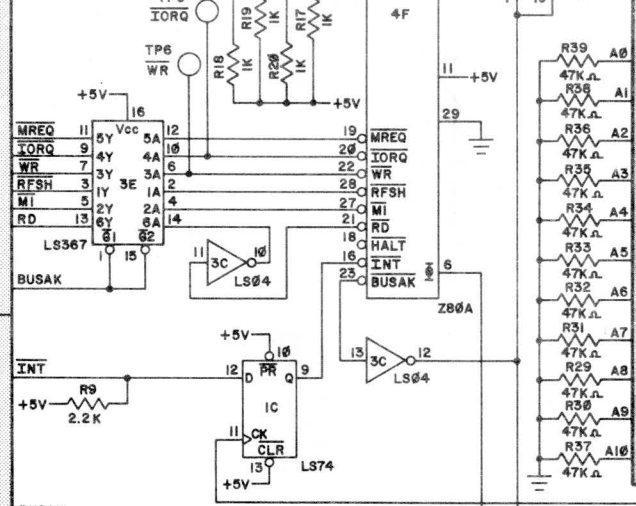
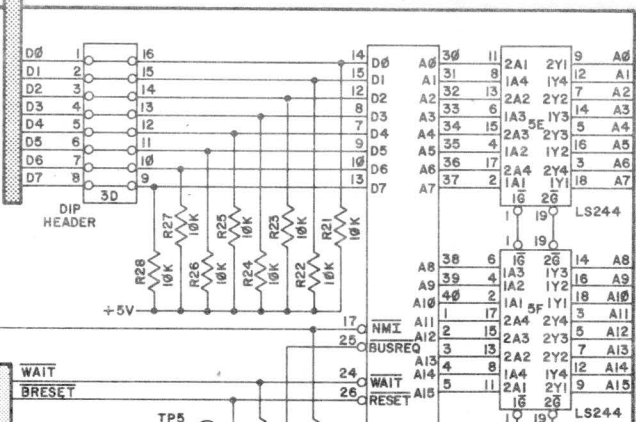
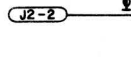
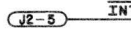
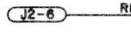
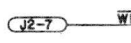
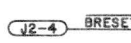
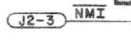
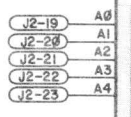
URL STERN

NAME **SCHEMATIC, GRAPHICS, SOUND & INTERFACE**

DWG PART NO **34D-2625-S**

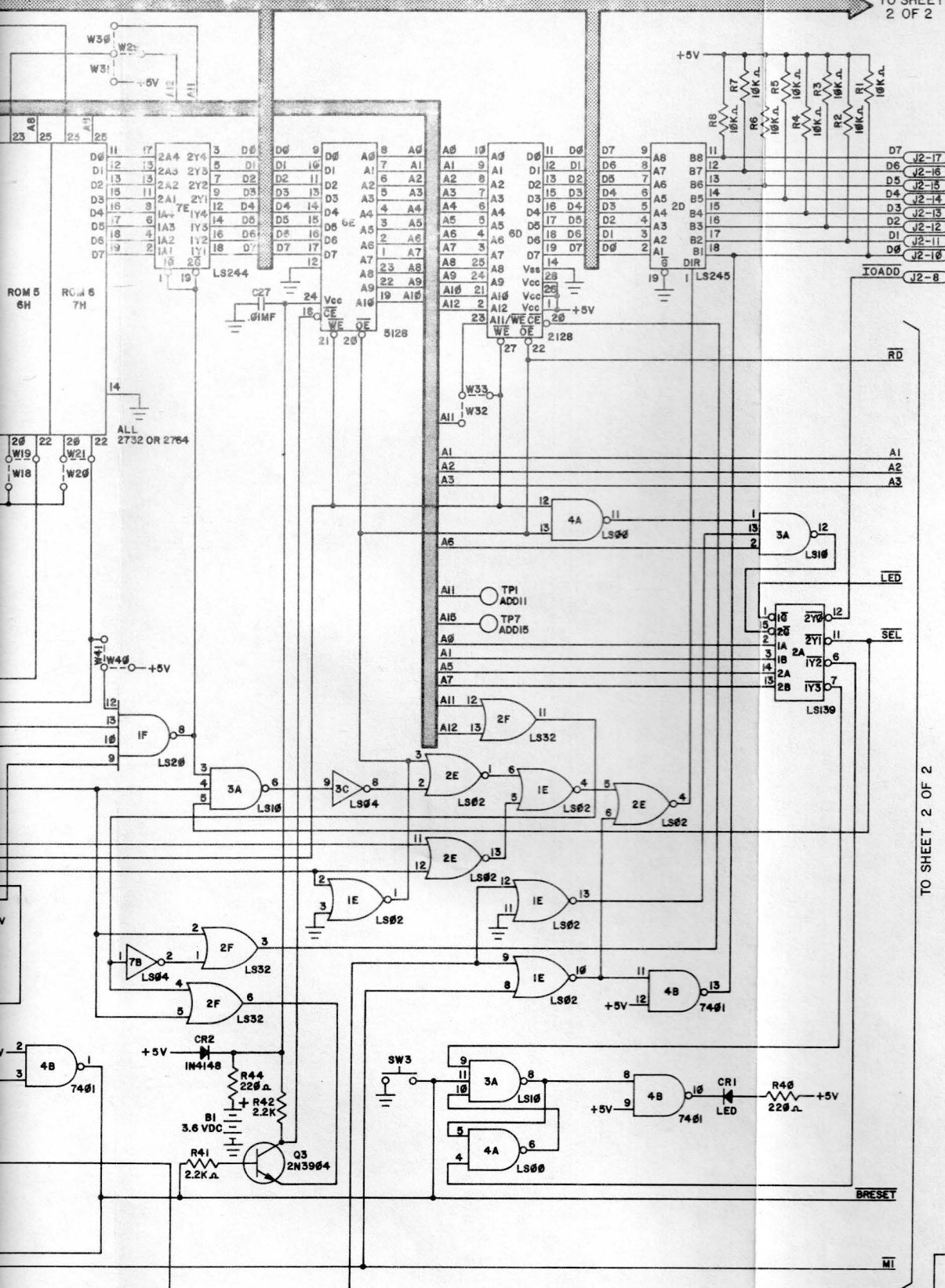
REV **A**

SIZE SHEET 1 OF 1

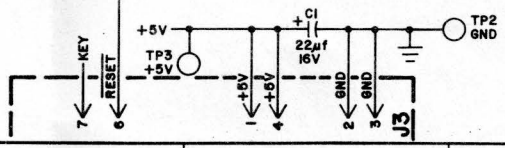


REVISIONS	
SYM	DESCRIPTION
A	ISSUED E.I. #2958

TO SHEET 2 OF 2



TO SHEET 2 OF 2



THESE DRAWINGS AND SPECIFICATIONS ARE THE EXCLUSIVE PROPERTY OF URL/A STERN ELECTRONICS COMPANY. ISSUED IN STRICT CONFIDENCE AND SHALL NOT WITHOUT THE PRIOR WRITTEN PERMISSION OF UNIVERSAL RESEARCH LABORATORIES BE REPRODUCED COPIED OR USED FOR ANY PURPOSE WHATSOEVER EXCEPT THE MANUFACTURE OF ARTICLES FOR UNIVERSAL RESEARCH LABORATORIES INC.

URL STERN

A DIVISION OF STERN ELECTRONICS
700 CHASE AVENUE
FLORHAM PARK, N.J. 07001

NAME: **SCHEMATIC, ZENTRAL PROCESSOR UNIT P.C. BOARD**

DWG: **34D-2627-S**

PART NO: **34D-2627-S**

REV: **A**

DR: T. NERAD 10/18/83

CHK: /

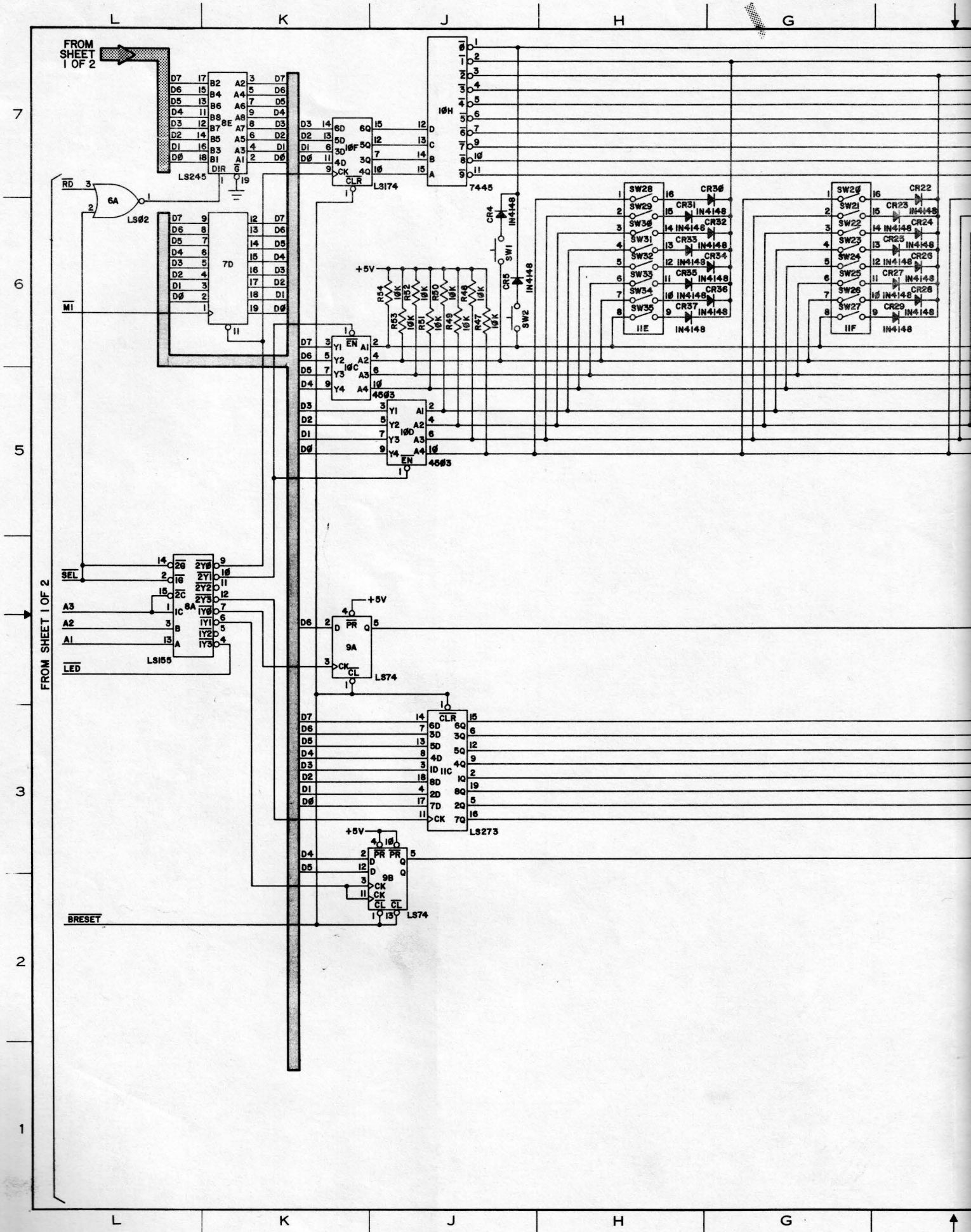
APPD: /

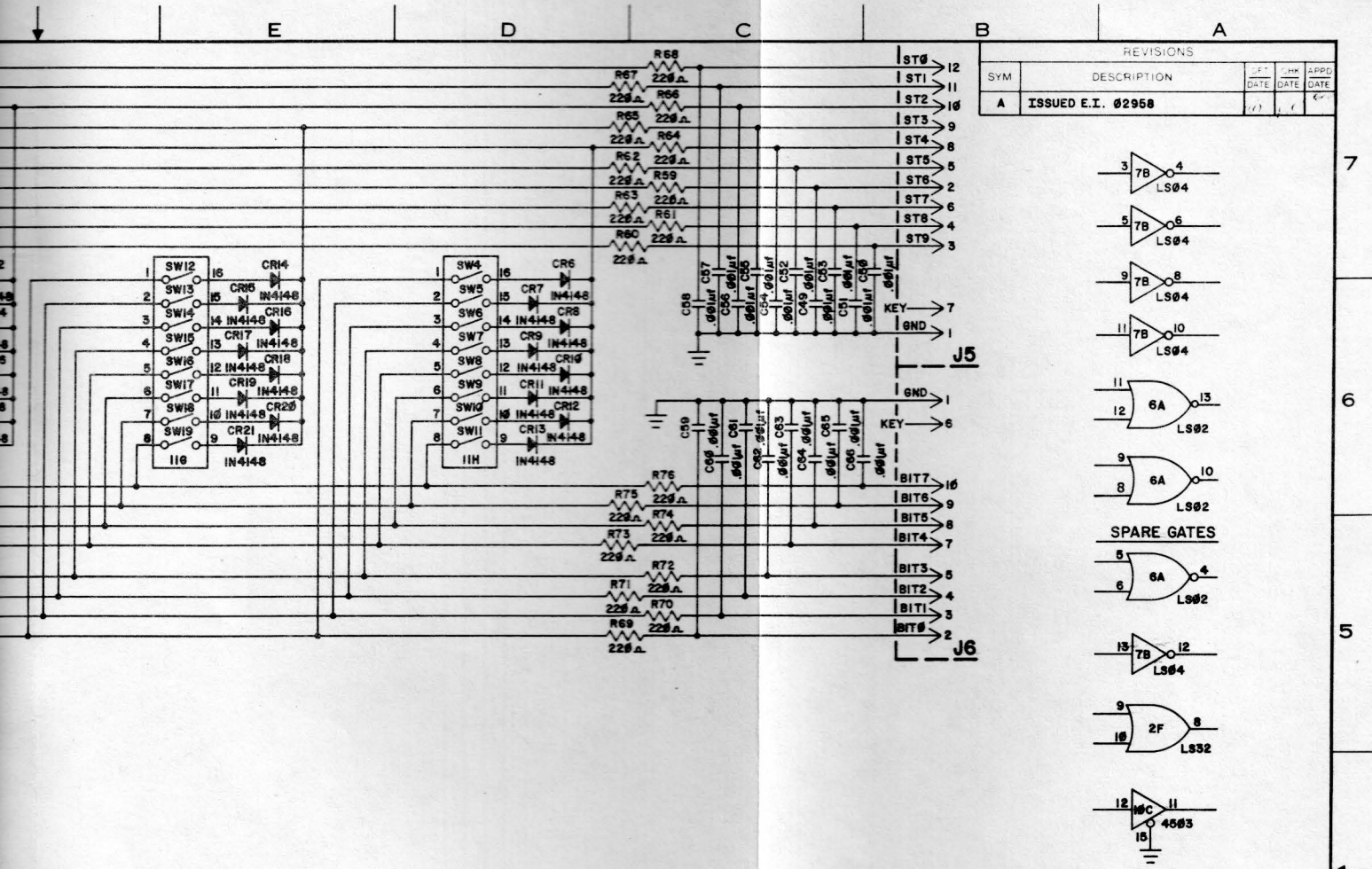
SCALE: /

MODEL: ZPU-2001

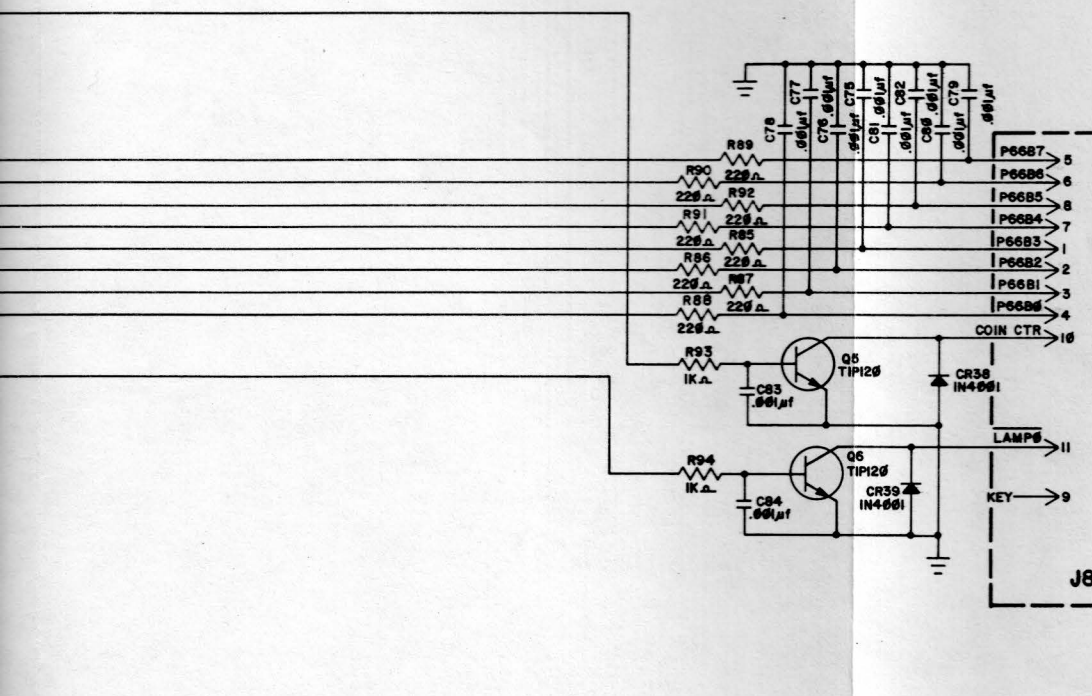
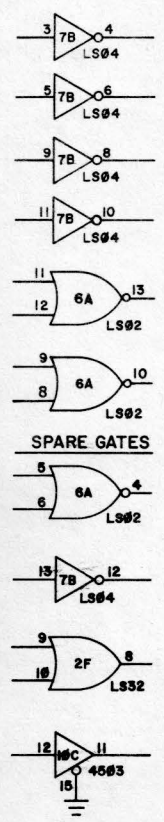
DO NOT SCALE DRAWING

SHEET: 2 OF 2





REVISIONS				
SYM	DESCRIPTION	DATE	CHK DATE	APPD DATE
A	ISSUED E.I. 02958			



Z00A	11	20
LS367	16	8
LS273	20	10
LS245	20	10
LS244	20	10
LS174	16	8
LS155	16	8
LS159	16	8
LS74	14	7
LS32	14	7
LS20	14	7
LS10	14	7
LS04	14	7
LS02	14	7
LS00	14	7
75117	8	4
74-45	16	8
74-01	14	7
6856	12	24
5128	V. BATT.	12
4503	16	8
2732 OR 2764	20	14
2125	20	14
I.C. TYPE	+5V	GND
	PIN NO.	

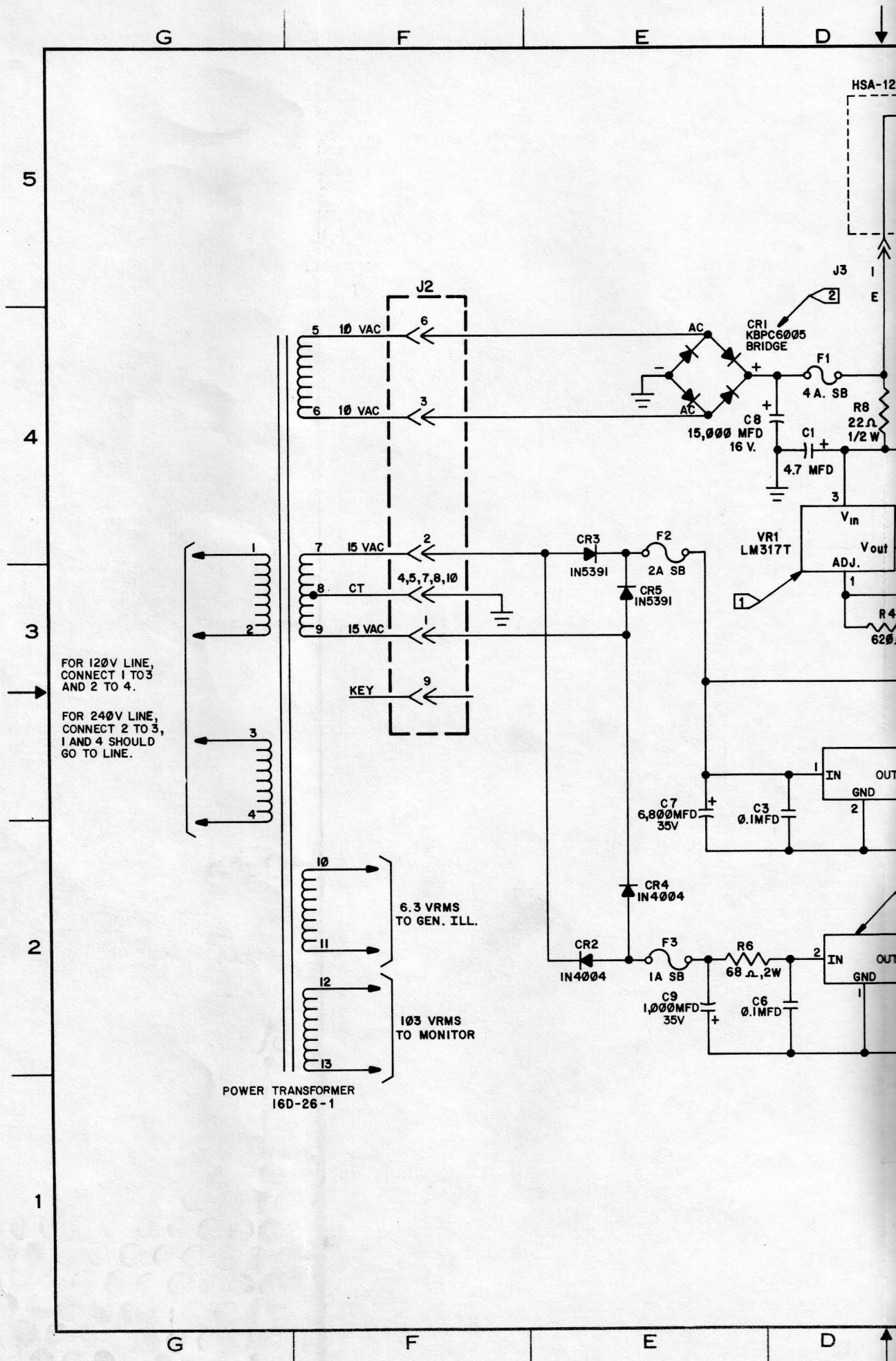
DR T. NERAD 10/10/63
 THESE DRAWINGS AND SPECIFICATIONS ARE THE EXCLUSIVE PROPERTY OF URL/ASTERN ELECTRONICS COMPANY ISSUED IN STRICT CONFIDENCE AND SHALL NOT WITHOUT THE PRIOR WRITTEN PERMISSION OF UNIVERSAL RESEARCH LABORATORIES BE REPRODUCED, COPIED, OR USED FOR ANY PURPOSE WHATSOEVER EXCEPT THE MANUFACTURE OF ARTICLES FOR UNIVERSAL RESEARCH LABORATORIES INC

SCALE MODEL ZPU-2001
 DO NOT SCALE DRAWING

URL STERN
 UNIVERSAL RESEARCH LABORATORIES INC
 A SUBSIDIARY OF STERN ELECTRONICS
 700 CHASE AVENUE
 ELK GROVE VILLAGE, ILLINOIS 60007

NAME **SCHEMATIC, ZENTRAL PROCESSOR UNIT P.C. BOARD**
 DWG PART NO **340-2627-S** REV. **A**
 SIZE SHEET **2** OF **2**

PH. 2 OF 2
 340-2627-S
 3
 2
 1



FOR 120V LINE,
CONNECT 1 TO 3
AND 2 TO 4.

FOR 240V LINE,
CONNECT 2 TO 3,
1 AND 4 SHOULD
GO TO LINE.

POWER TRANSFORMER
16D-26-1

6.3 VRMS
TO GEN. ILL.

103 VRMS
TO MONITOR

HSA-120

J3

VR1
LM317T

V_{in}
V_{out}
ADJ.
R4
620Ω

IN
OUT
GND

IN
OUT
GND

5

4

3

2

1

G

F

E

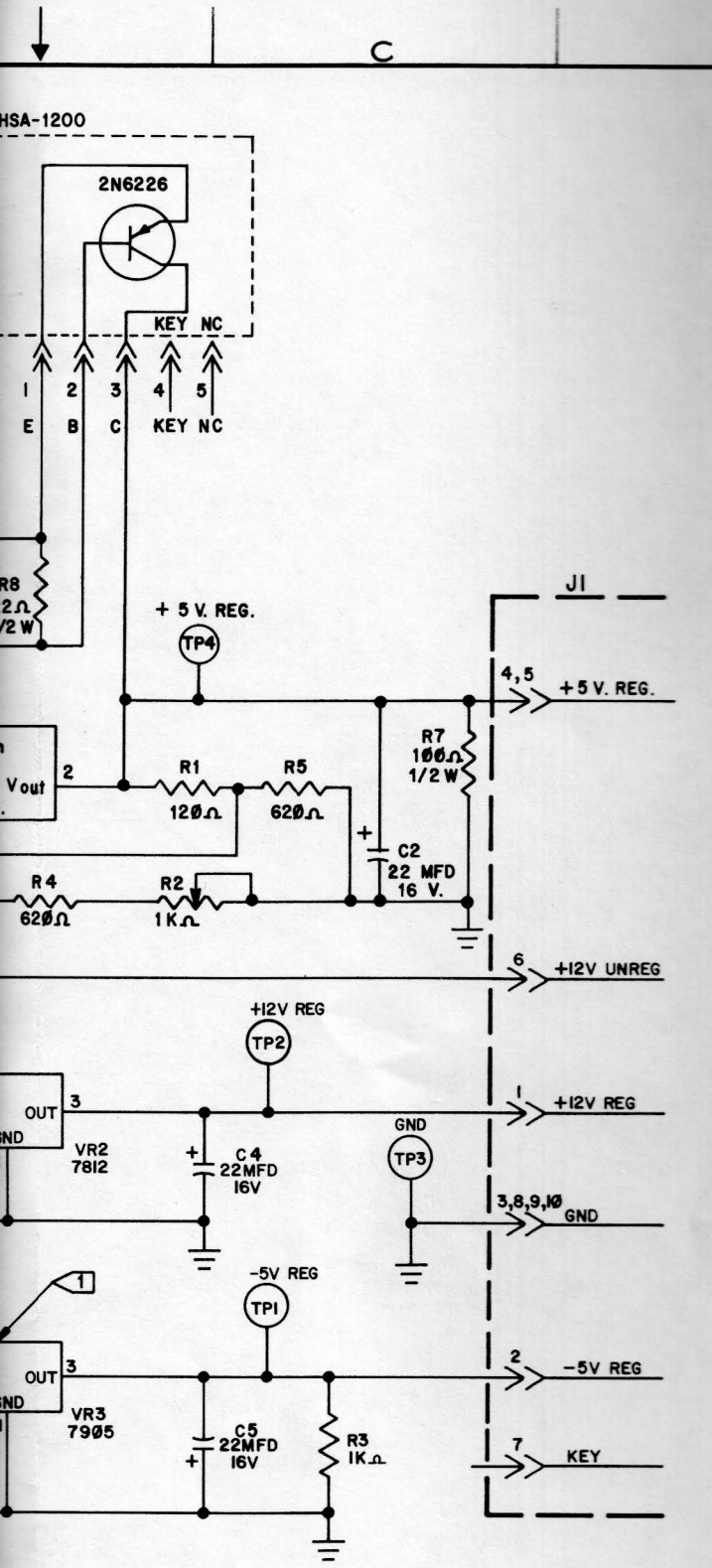
D

G

F

E

D



REVISIONS				
SYM	DESCRIPTION	DFT DATE	CHK DATE	APPD DATE
A	ISSUED E.I. 00922.	6/25/51	6/25/51	
B	TO STOP POWER SUPPLIES WHICH CONTAIN THE TECATE 15000 MFD FILTER CAPACITOR, FROM OSCILLATING. ISSUED E.I. - 01094.	6/25/51	9/24/51	
C	DIFFICULTY OBTAINING 75 OHM RESISTORS. E.I. 01160.	6/25/51	9/25/51	

- NOTES:
- ① SHOULDER WASHER REQUIRED ON MOUNTING STUD.
 - ② GENERAL INSTRUMENTS.

DR. G. P. Shick 6/11/51	URL UNIVERSAL RESEARCH LABORATORIES INC. A SUBSIDIARY OF STERN ELECTRONICS 700 CHASE AVENUE ELK GROVE VILLAGE, ILLINOIS 60007	NAME SCHEMATIC, POWER SUPPLY P.C. BOARD
CHK. <i>[Signature]</i>		
APPD. <i>[Signature]</i> 6/15/51	DWG. PART NO. 34C-978-S	REV. C
APPD. <i>[Signature]</i>	SIZE C	SHEET 1 OF 1
MODEL PS-1200		

5

4

3

34C-978-S

2

1

G

F

E

D

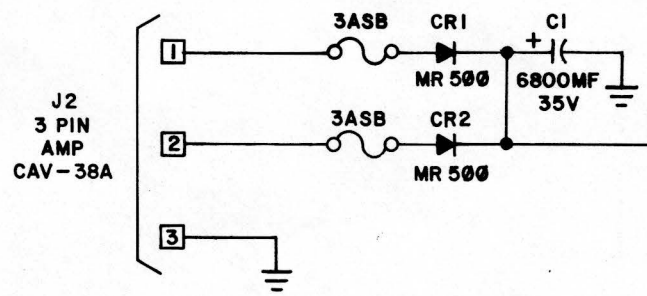
5

4

3

2

1



C

B

A

REVISIONS

SYM	DESCRIPTION	DFT	CHK	APPD
		DATE	DATE	DATE
A	ISSUED E. I. 02863	10/18/63		

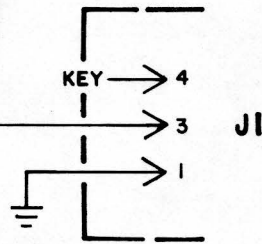
5

4

3

2

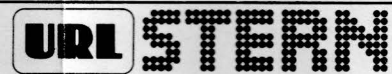
1



34C-2610-S
SH OF 1

THESE DRAWINGS AND SPECIFICATIONS ARE THE EXCLUSIVE PROPERTY OF URL/ASTERN ELECTRONICS COMPANY, ISSUED IN STRICT CONFIDENCE AND SHALL NOT, WITHOUT THE PRIOR WRITTEN PERMISSION OF UNIVERSAL RESEARCH LABORATORIES, BE REPRODUCED, COPIED, OR USED FOR ANY PURPOSE WHATSOEVER EXCEPT THE MANUFACTURE OF ARTICLES FOR UNIVERSAL RESEARCH LABORATORIES INC.

DR. **J.G.M.** 10/18/63
 CHK.
 APPD. *[Signature]*
 SCALE MODEL
 RFB-1000
 DO NOT SCALE DRAWING



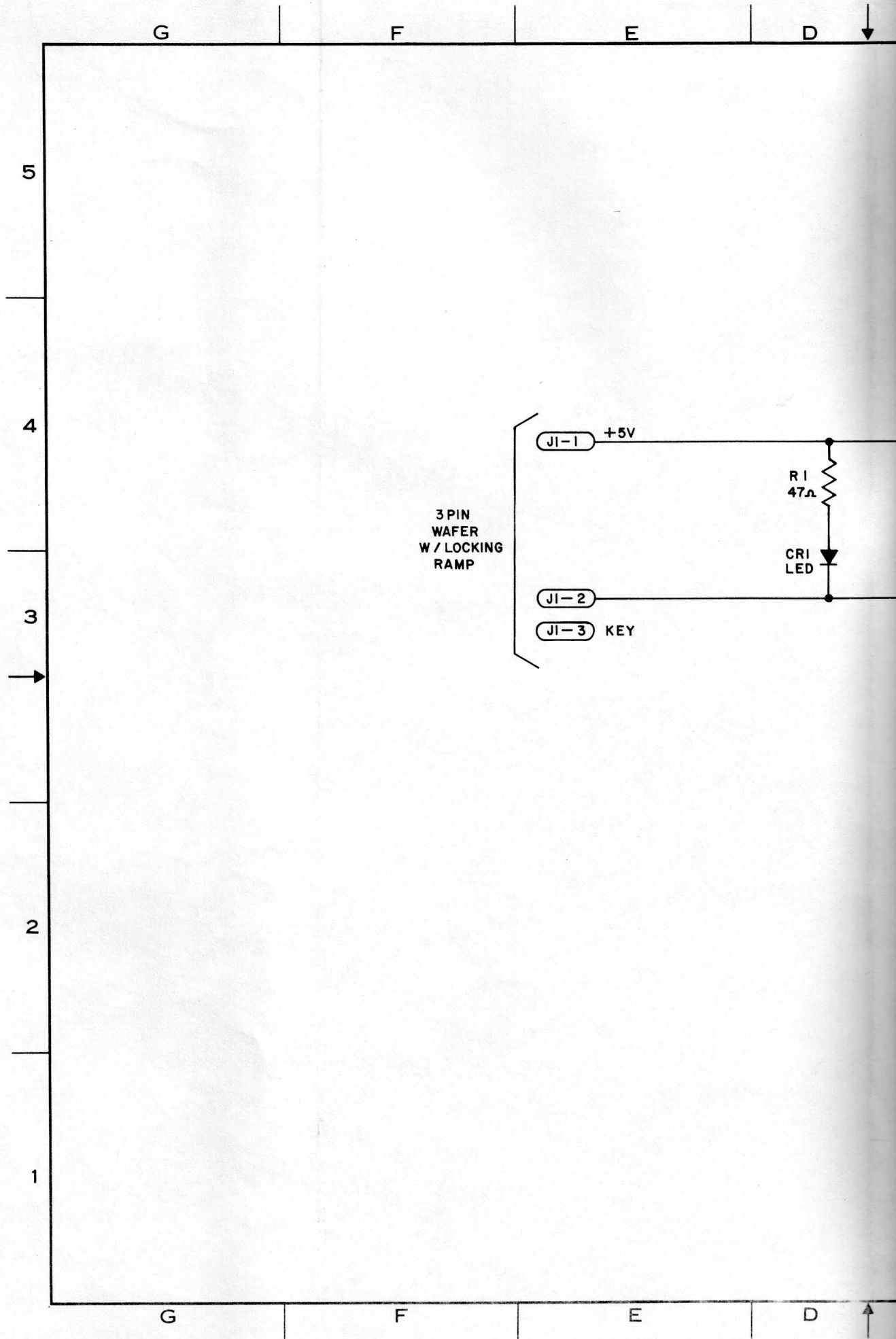
UNIVERSAL RESEARCH LABORATORIES INC.
 A SUBSIDIARY OF STERN ELECTRONICS
 700 CHASE AVENUE
 ELK GROVE VILLAGE, ILLINOIS 60007

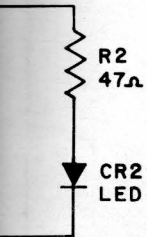
NAME **SCHEMATIC, RECTIFIER FILTER P.C. BOARD**
 DWG PART NO. **34C-2610-S** REV. **A**
 SIZE **C** SHEET **1** OF **1**

C

B

A





REVISIONS					
SYM	DESCRIPTION	DFT DATE	CHK DATE	APPD DATE	
A	ISSUED E.I. 02956				

5

4

3

2

34C-2660-S

1

THESE DRAWINGS AND SPECIFICATIONS ARE THE EXCLUSIVE PROPERTY OF URL/A STERN ELECTRONICS COMPANY, ISSUED IN STRICT CONFIDENCE AND SHALL NOT, WITHOUT THE PRIOR WRITTEN PERMISSION OF UNIVERSAL RESEARCH LABORATORIES, BE REPRODUCED, COPIED, OR USED FOR ANY PURPOSE WHATSOEVER EXCEPT THE MANUFACTURE OF ARTICLES FOR UNIVERSAL RESEARCH LABORATORIES INC

DR.	J.G.M.	102083
CHK		11
APPD		11
SCALE	MODEL	IRT-1000
DO NOT SCALE DRAWING		

		UNIVERSAL RESEARCH LABORATORIES INC A SUBSIDIARY OF STERN ELECTRONICS 700 CHASE AVENUE ELK GROVE VILLAGE, ILLINOIS 60007	
NAME SCHEMATIC, INFRARED TRANSMITTER P.C. BOARD			
DWG	PART NO.	REV.	
C	34C-2660-S	A	
SIZE	SHEET	OF	

C

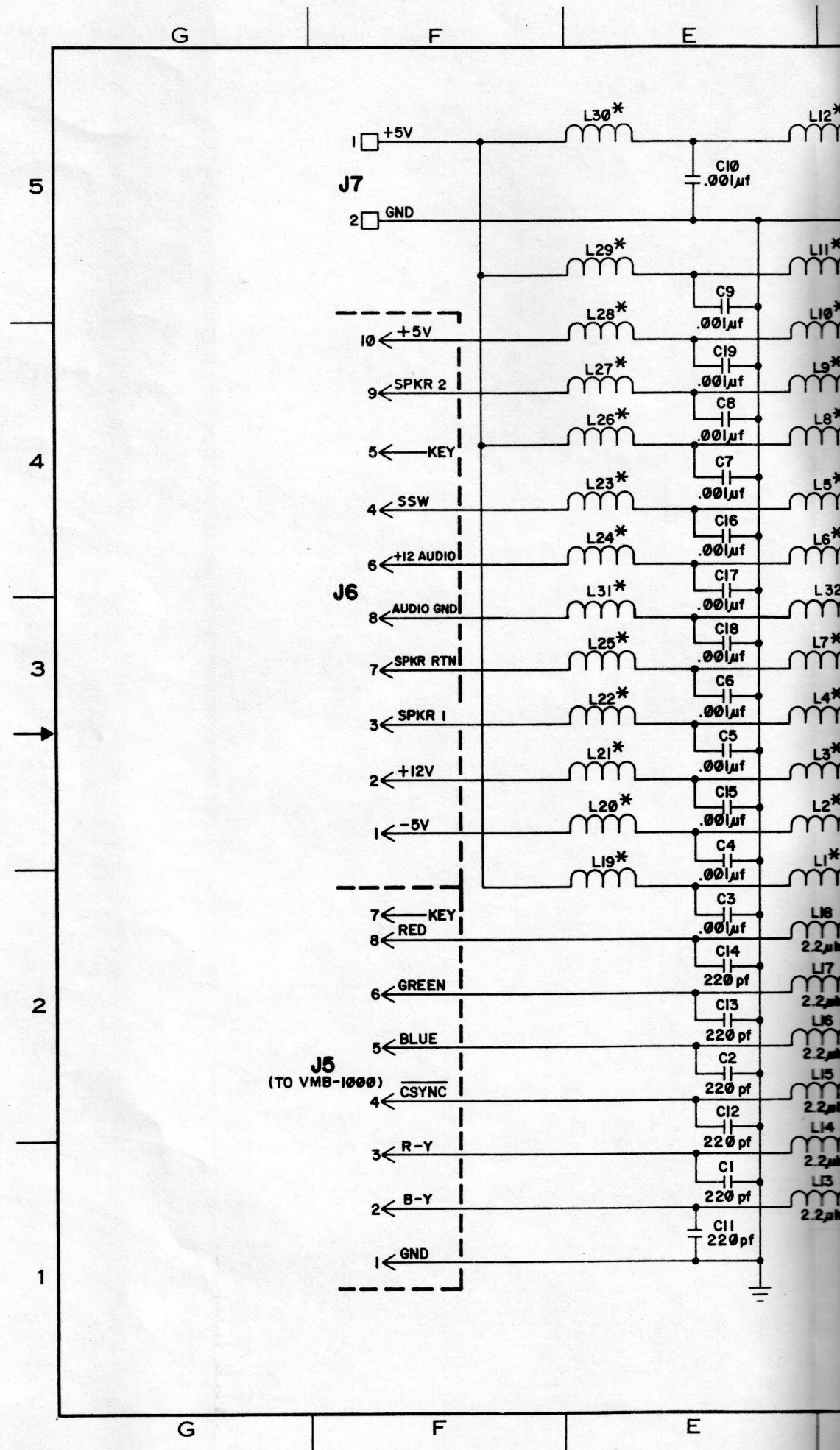
B

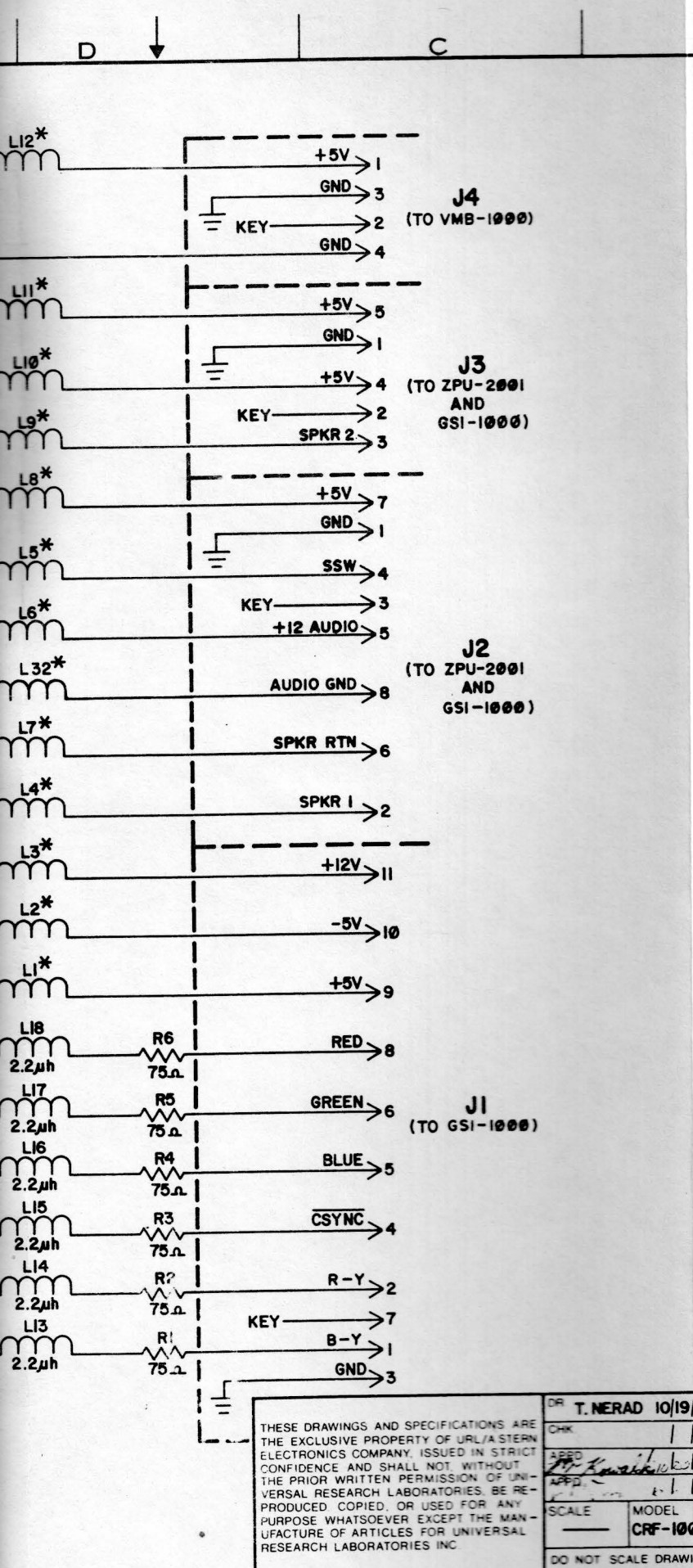
A

C

B

A





REVISIONS				
SYM	DESCRIPTION	DFT DATE	CHK DATE	APPD DATE
A	ISSUED E.I. 02950			

5
 4
 3
 2
 1
 34C-2600-S

NOTES:

- * = INDUCTORS ARE FERRITE BEADS.
- J5, J6 AND J7 MOUNT ON SOLDER SIDE.

URL STERN

UNIVERSAL RESEARCH LABORATORIES INC
 A SUBSIDIARY OF STERN ELECTRONICS
 700 CHASE AVENUE
 ELK GROVE VILLAGE, ILLINOIS 60007

NAME **SCHEMATIC, CARD**

RACK FILTER P.C. BOARD

DWG PART NO. **34C-2600-S** REV. **A**

SIZE SHEET **1** OF **1**

DR. **T. NERAD 10/19/83**

CHK. **1/1**

APPD. **[Signature]**

SCALE MODEL **CRF-1002**

DO NOT SCALE DRAWING

THESE DRAWINGS AND SPECIFICATIONS ARE THE EXCLUSIVE PROPERTY OF URL/A STERN ELECTRONICS COMPANY. ISSUED IN STRICT CONFIDENCE AND SHALL NOT, WITHOUT THE PRIOR WRITTEN PERMISSION OF UNIVERSAL RESEARCH LABORATORIES, BE REPRODUCED COPIED, OR USED FOR ANY PURPOSE WHATSOEVER EXCEPT THE MANUFACTURE OF ARTICLES FOR UNIVERSAL RESEARCH LABORATORIES INC.