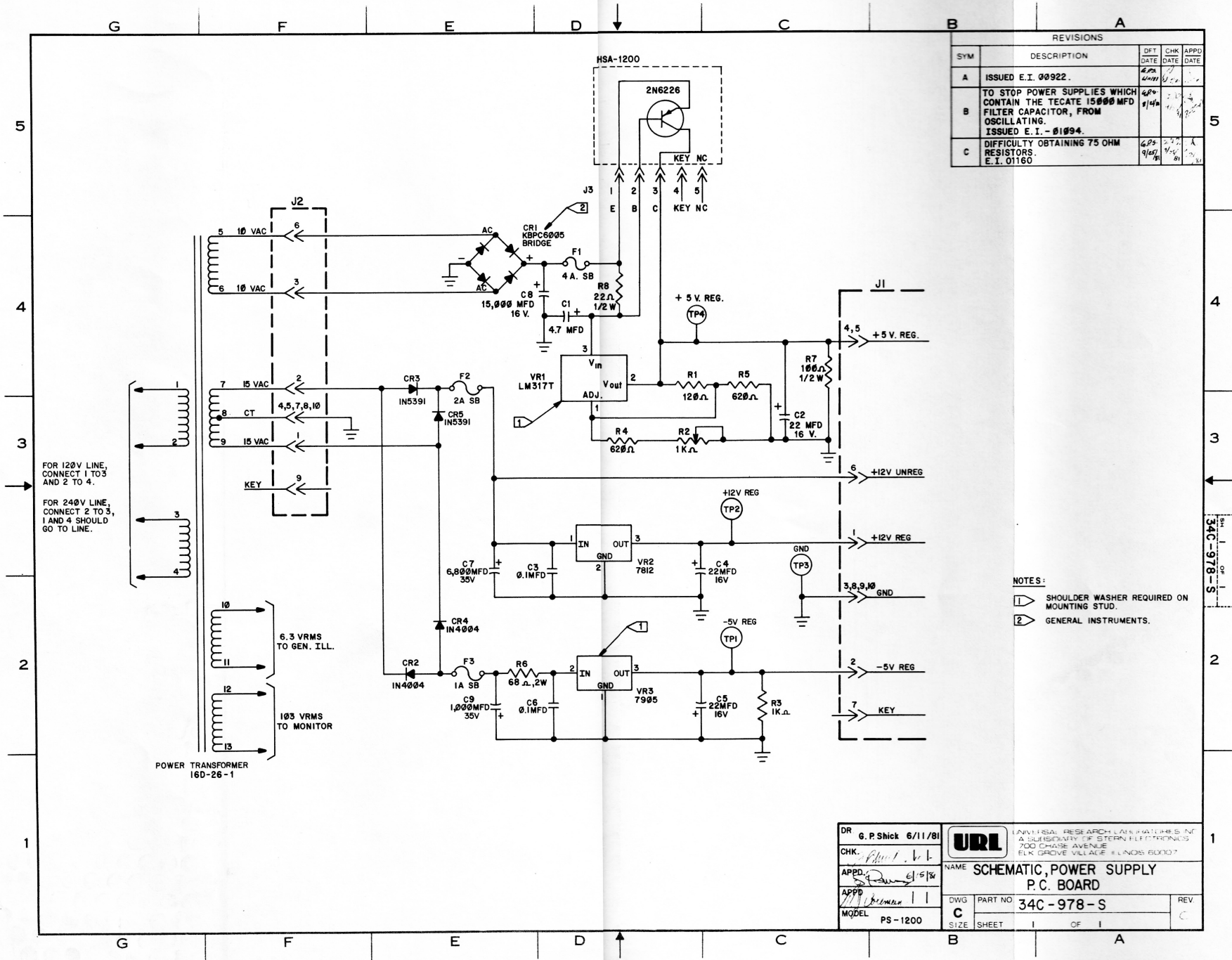


CLIFF HANGER / GOAL TO GO PDF CONTENTS

<u>PDF PAGE</u>	<u>DRAWING</u>	<u>SUBJECT</u>
2	34C-978-S, REV C	POWER SUPPLY PCB
3	34C-2600-S, REV A	CARD RACK FILTER PCB
4	34C-2610-S, REV A	RECTIFIER FILTER PCB
5	34C-2630-S, REV A	VIDEO MULTIPLEXER PCB
6	34C-2660-S, REV A	INFRARED TRANSMITTER PCB
7	34D-219-WD, REV A	WIRING DIAGRAM
8 *	34D-2625-S, REV A *	GRAPHICS, SOUND & INTERFACE
9 *	34D-2625-S, REV B *	GRAPHICS, SOUND & INTERFACE
10	34D-2627-S, REV A, 1 of 2	CPU PCB
11	34D-2627-S, REV A, 2 of 2	CPU PCB

*** NOTICE:**

PAGE 9 (REV B) IS AN UPDATED VERSION OF PAGE 8 (REV A).



FOR 120V LINE,
CONNECT 1 TO 3
AND 2 TO 4.

FOR 240V LINE,
CONNECT 2 TO 3,
1 AND 4 SHOULD
GO TO LINE.

POWER TRANSFORMER
16D-26-1

6.3 VRMS
TO GEN. ILL.

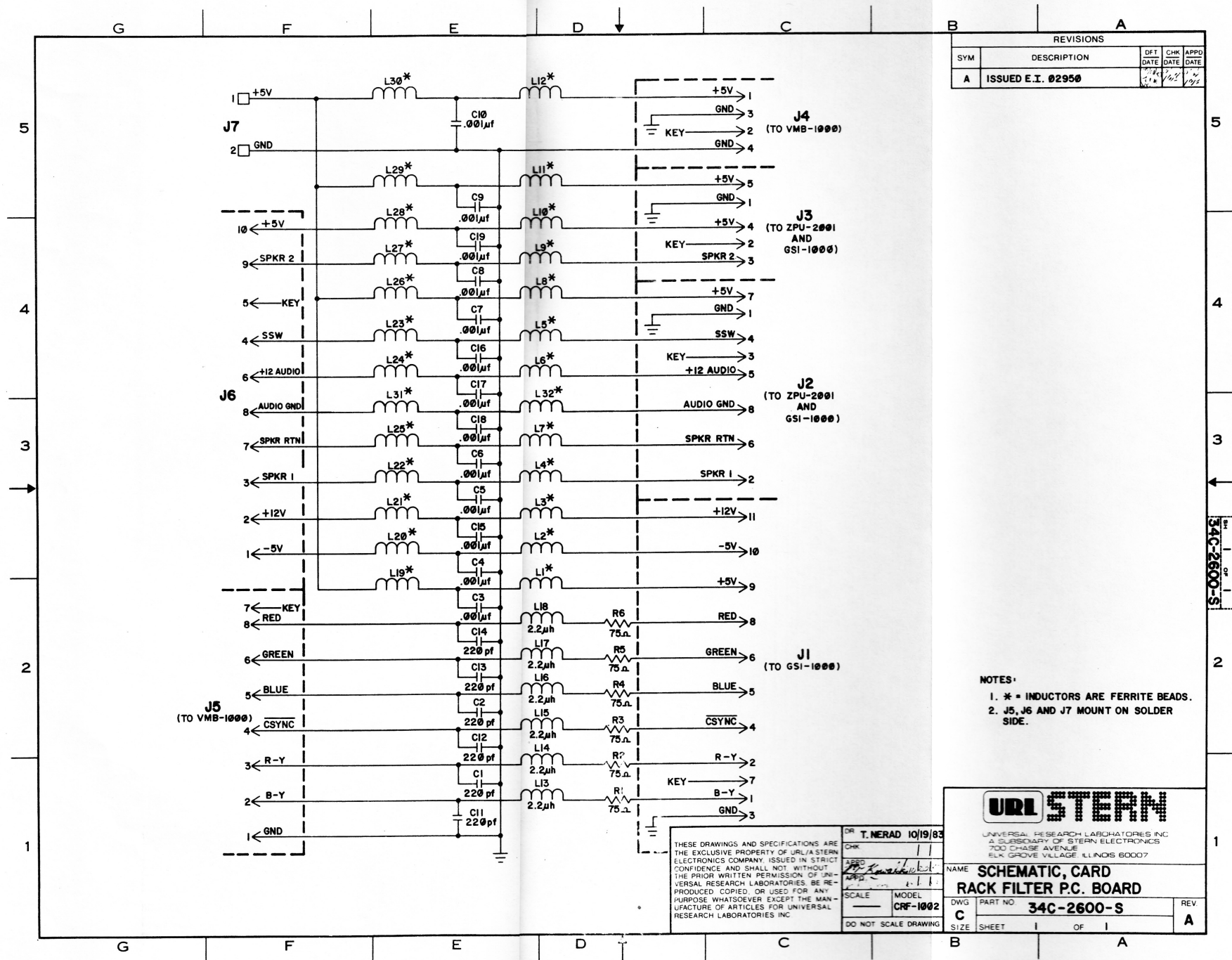
103 VRMS
TO MONITOR

REVISIONS				
SYM	DESCRIPTION	DFT DATE	CHK DATE	APPD DATE
A	ISSUED E.I. 00922.	6/29/81	6/29/81	
B	TO STOP POWER SUPPLIES WHICH CONTAIN THE TECATE 15,000 MFD FILTER CAPACITOR, FROM OSCILLATING. ISSUED E.I. - 01094.	6/29/81	6/29/81	
C	DIFFICULTY OBTAINING 75 OHM RESISTORS. E.I. 01160	6/29/81	6/29/81	

- NOTES:
- 1 SHOULDER WASHER REQUIRED ON MOUNTING STUD.
 - 2 GENERAL INSTRUMENTS.

DR G. P. Shick 6/11/81	URL		UNIVERSAL RESEARCH LABORATORIES, INC. A SUBSIDIARY OF STERN ELECTRONICS 700 CHASE AVENUE ELK GROVE VILLAGE, ILLINOIS 60007
CHK: <i>Shick</i>	NAME SCHEMATIC, POWER SUPPLY P.C. BOARD		
APPD: <i>Shick</i>	DWG PART NO	34C-978-S	REV
APPD: <i>Shick</i>	C	1	C
MODEL PS-1200	SHEET	1	OF 1

SHEET 1 OF 1
34C-978-S



REVISIONS			
SYM	DESCRIPTION	DFT DATE	CHK APPD DATE
A	ISSUED E.I. 02950	10/19/83	10/19/83

- NOTES:
- * = INDUCTORS ARE FERRITE BEADS.
 - J5, J6 AND J7 MOUNT ON SOLDER SIDE.

THESE DRAWINGS AND SPECIFICATIONS ARE THE EXCLUSIVE PROPERTY OF URL/A STERN ELECTRONICS COMPANY. ISSUED IN STRICT CONFIDENCE AND SHALL NOT WITHOUT THE PRIOR WRITTEN PERMISSION OF UNIVERSAL RESEARCH LABORATORIES BE REPRODUCED, COPIED, OR USED FOR ANY PURPOSE WHATSOEVER EXCEPT THE MANUFACTURE OF ARTICLES FOR UNIVERSAL RESEARCH LABORATORIES INC.

DR T. NERAD 10/19/83
CHK

SCALE MODEL CRF-1002
DO NOT SCALE DRAWING

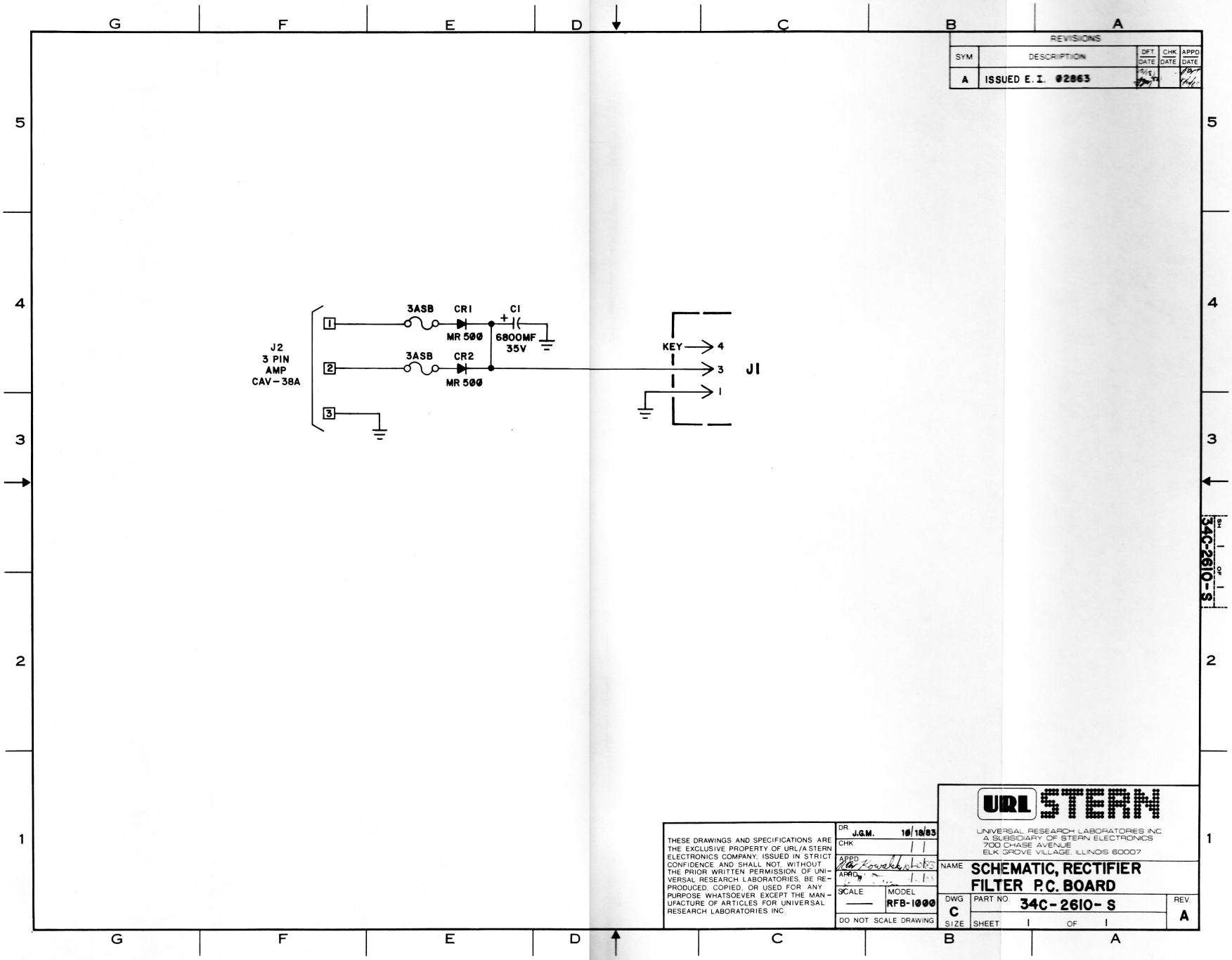
URL STERN
UNIVERSAL RESEARCH LABORATORIES INC.
A SUBSIDIARY OF STERN ELECTRONICS
700 CHASE AVENUE
ELK GROVE VILLAGE, ILLINOIS 60007

NAME **SCHEMATIC, CARD**
RACK FILTER P.C. BOARD

DWG PART NO **34C-2600-S** REV **A**

SIZE SHEET OF

34C-2600-S



REVISIONS			
SYM	DESCRIPTION	DET DATE	CHK DATE
A	ISSUED E. I. #2863	10/18/83	10/18/83

THESE DRAWINGS AND SPECIFICATIONS ARE THE EXCLUSIVE PROPERTY OF URL/A STERN ELECTRONICS COMPANY. ISSUED IN STRICT CONFIDENCE AND SHALL NOT, WITHOUT THE PRIOR WRITTEN PERMISSION OF UNIVERSAL RESEARCH LABORATORIES, BE REPRODUCED, COPIED, OR USED FOR ANY PURPOSE WHATSOEVER EXCEPT THE MANUFACTURE OF ARTICLES FOR UNIVERSAL RESEARCH LABORATORIES INC.

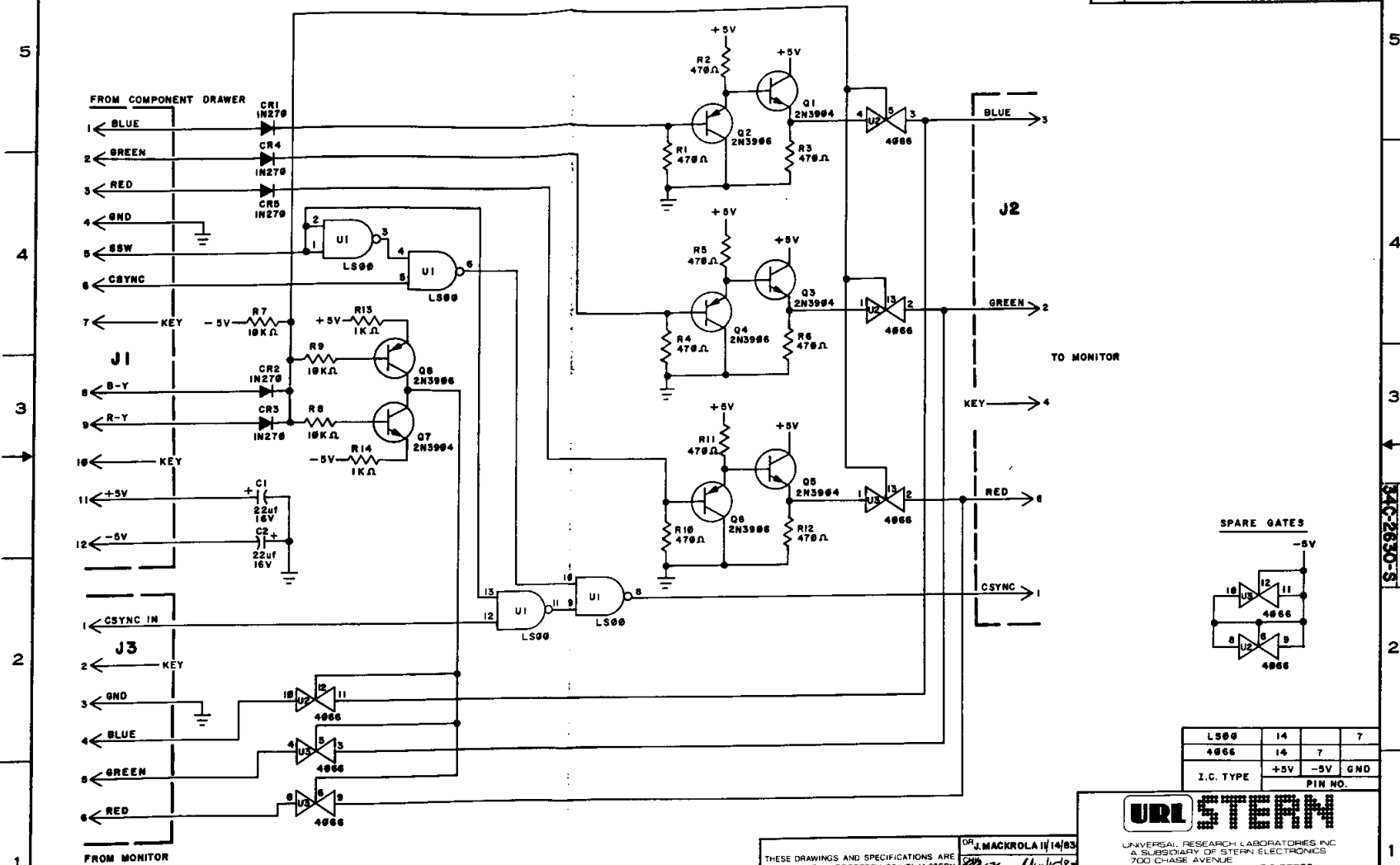
DR J.G.M. 10/18/83
 CHK 11
 APP'D [Signature]
 DATE 10/18/83
 SCALE 1:1 MODEL RFB-1000
 DO NOT SCALE DRAWING

URL STERN
 UNIVERSAL RESEARCH LABORATORIES INC
 A SUBSIDIARY OF STERN ELECTRONICS
 700 CHASE AVENUE
 ELK GROVE VILLAGE, ILLINOIS 60007

NAME **SCHEMATIC, RECTIFIER FILTER P.C. BOARD**
 DWG PART NO. **34C-2610-S** REV. **A**
 SIZE SHEET **I** OF **I**

34C-2610-S

REVISIONS				
SVM	DESCRIPTION	DFT DATE	CHK DATE	APPD DATE
A	ISSUED E.I. 3023			



LS00	14	7
4066	14	7
I.C. TYPE	+5V	-5V GND
	PIN NO.	

THESE DRAWINGS AND SPECIFICATIONS ARE THE EXCLUSIVE PROPERTY OF URL/A STERN ELECTRONICS COMPANY. ISSUED IN STRICT CONFIDENCE AND SHALL NOT WITHOUT THE PRIOR WRITTEN PERMISSION OF UNIVERSAL RESEARCH LABORATORIES BE REPRODUCED, COPIED, OR USED FOR ANY PURPOSE WHATSOEVER EXCEPT THE MANUFACTURE OF ARTICLES FOR UNIVERSAL RESEARCH LABORATORIES INC.

DR. J. MACKROLA 11/14/83
 11/15/83
 11/15/83

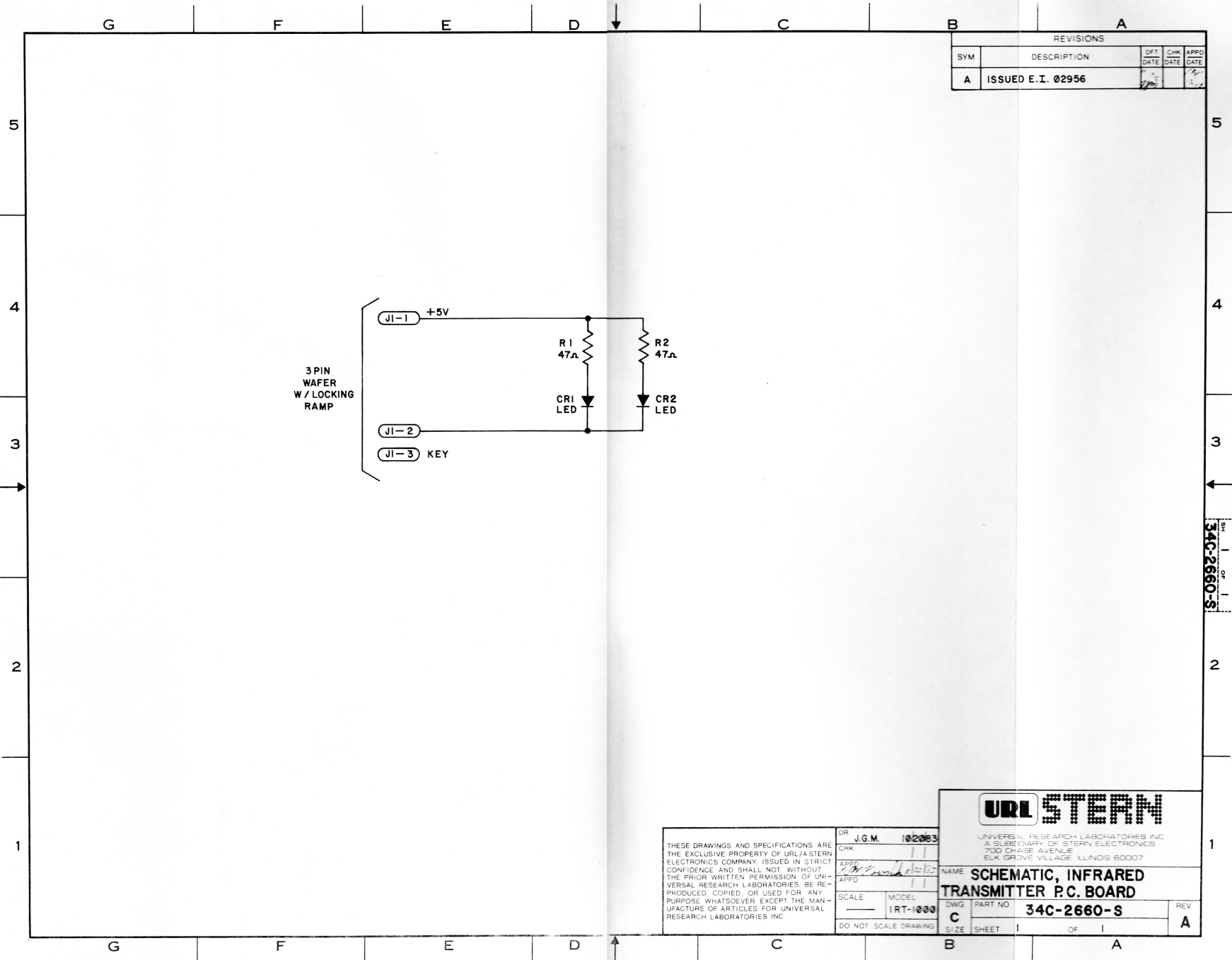
SCALE: MODEL VMB-1000
 DO NOT SCALE DRAWING

URL STERN
 UNIVERSAL RESEARCH LABORATORIES INC.
 A SUBSIDIARY OF STERN ELECTRONICS
 700 CHASE AVENUE
 6LK GROVE VILLAGE, ILLINOIS 60007

NAME: SCHEMATIC, VIDEO MULTIPLEXER PC BOARD

DWG. PART NO. 34C-2630-S REV. A
 C SIZE SHEET 1 OF 1

34C-2630-S



REVISIONS				
SYM	DESCRIPTION	DFT DATE	CHK DATE	APPD DATE
A	ISSUED E. I. 02956			

3 PIN
WAFER
W / LOCKING
RAMP

34C-2660-S

THESE DRAWINGS AND SPECIFICATIONS ARE THE EXCLUSIVE PROPERTY OF URL/A STERN ELECTRONICS COMPANY. ISSUED IN STRICT CONFIDENCE AND SHALL NOT WITHOUT THE PRIOR WRITTEN PERMISSION OF UNIVERSAL RESEARCH LABORATORIES BE REPRODUCED, COPIED, OR USED FOR ANY PURPOSE WHATSOEVER EXCEPT THE MANUFACTURE OF ARTICLES FOR UNIVERSAL RESEARCH LABORATORIES INC.

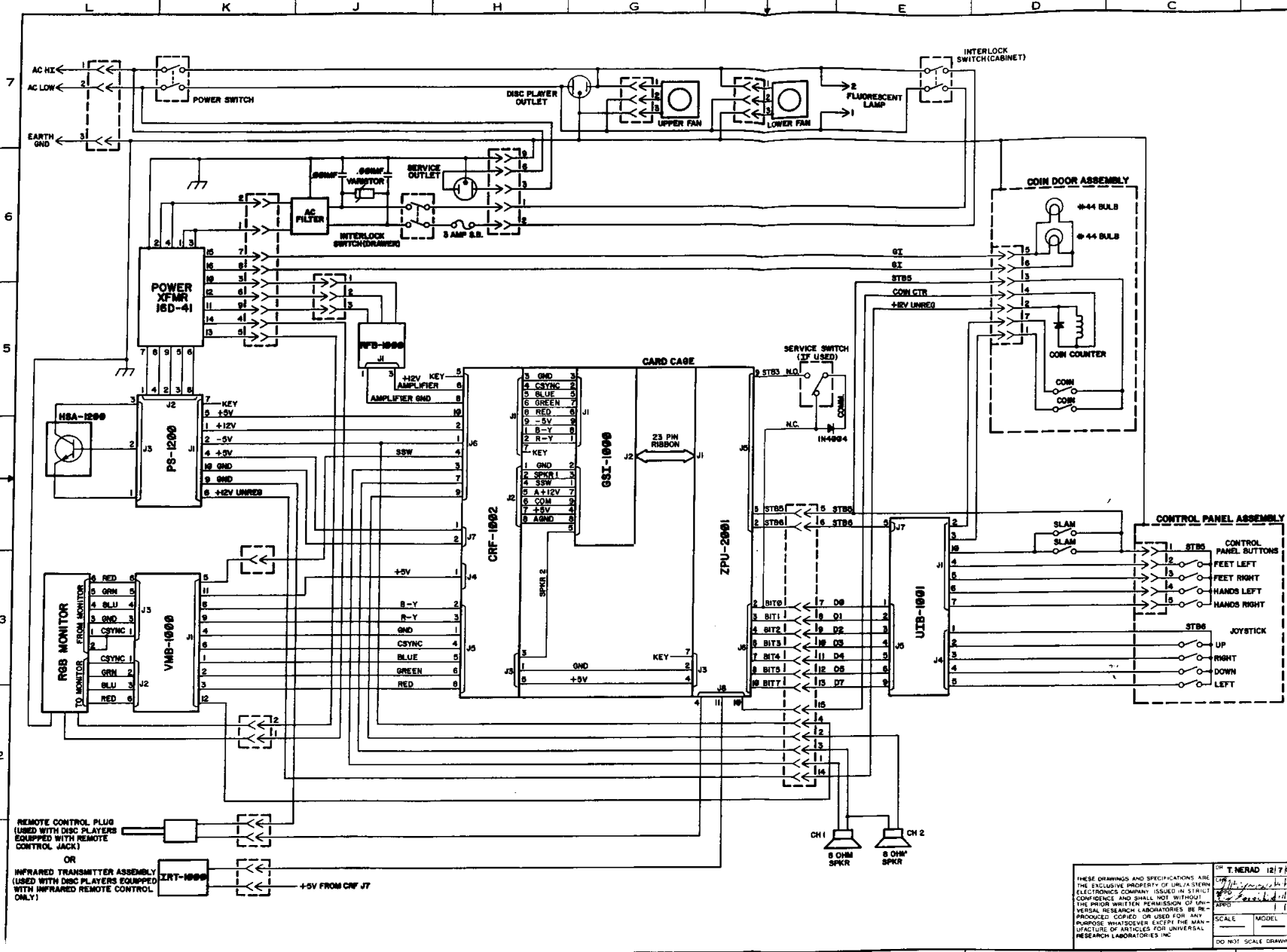
DR	J.G.M.	102063
CHK		
APPD		
SCALE	MODEL	
	IRT-1000	
DO NOT SCALE DRAWING		

URL STERN
UNIVERSAL RESEARCH LABORATORIES INC
A SUBSIDIARY OF STERN ELECTRONICS
700 CHASE AVENUE
ELK GROVE VILLAGE ILLINOIS 60007

NAME: **SCHEMATIC, INFRARED TRANSMITTER P.C. BOARD**

DWG	PART NO	REV
C	34C-2660-S	A

REVISIONS			
SYM	DESCRIPTION	DATE	BY
A	ISSUED I.X. 83000		



REMOTE CONTROL PLUG
(USED WITH DISC PLAYERS
EQUIPPED WITH REMOTE
CONTROL JACK)

OR

INFRARED TRANSMITTER ASSEMBLY
(USED WITH DISC PLAYERS EQUIPPED
WITH INFRARED REMOTE CONTROL
ONLY)

ZRT-1000

+5V FROM CRF J7

THESE DRAWINGS AND SPECIFICATIONS ARE
THE EXCLUSIVE PROPERTY OF URLA STERN
ELECTRONICS COMPANY. ISSUED IN STRICT
CONFIDENCE AND SHALL NOT WITHOUT
THE PRIOR WRITTEN PERMISSION OF URLA
STERN RESEARCH LABORATORIES BE RE-
PRODUCED, COPIED OR USED FOR ANY
PURPOSE WHATSOEVER EXCEPT THE MAN-
UFACTURE OF ARTICLES FOR UNIVERSAL
RESEARCH LABORATORIES INC.

BY T. NERAD 12/7/83

SCALE MODEL

DO NOT SCALE DRAWING

URLA STERN

127 HANCOCK AVENUE
CAMBRIDGE, MASSACHUSETTS 02142
TEL: (617) 452-1100

NAME: **CLIFF HANGER / GOAL TO GO**

WIRING DIAGRAM

SCALE: MODEL

DATE: 1/1/83

SIZE: 340-219-WD

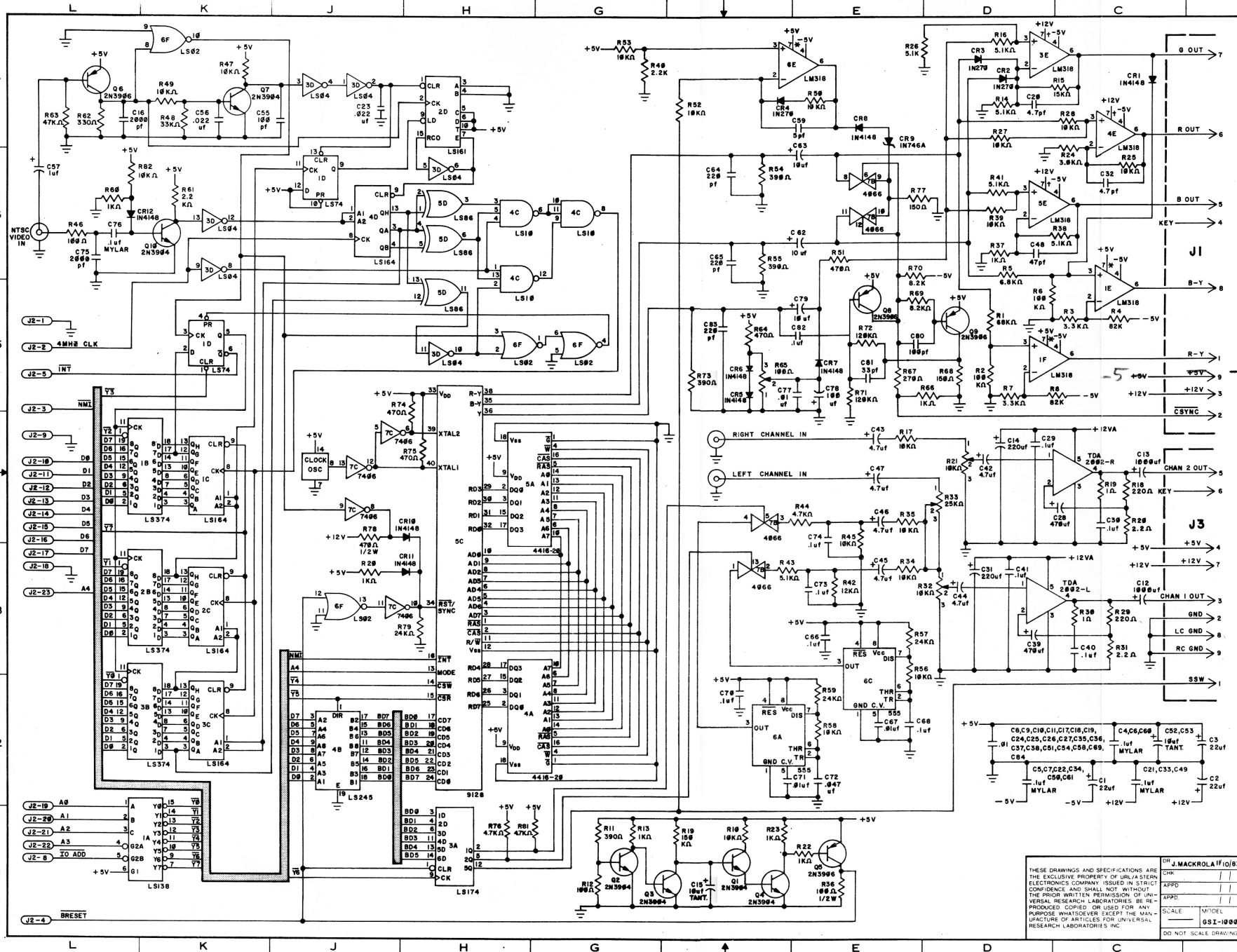
SHEET 1 OF 1

(800) 621-6424

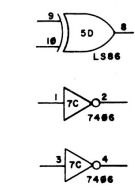
10141 501-3000 1018X: 234087

ESURF

REVISIONS				
SYM	DESCRIPTION	DATE	CHK	APPD
A	ISSUED E.T. 3019			



SPARE GATES



LS	QTY	DESCRIPTION	REF
LS374	20		10
LS245	20		10
LS174	16		8
LS164	14		7
LS161	56,16		3,4,8
LS138	6,18		7
LS86	14		8
LS74	14,12,10		7
LS10	14		7
LS94	14		7
LS92	14		7
LM318	7 * 4		7 +
9128	33		12
7406	14		7
4416	9		1,18
4066	14		7
555	4,8		1

I.C. TYPE +5V -5V +12V GND PIN NO.

URL STERN

UNIVERSAL RESEARCH LABORATORIES, INC.
 1000 UNIVERSITY AVENUE
 LAUREL, CALIF. 90045-1000

NAME: SCHEMATIC, GRAPHICS, SOUND & INTERFACE

MODEL: 6SI-1000

PART NO: 34D-2625-S

REV: A

SIZE: SHEET 1 OF 1

THESE DRAWINGS AND SPECIFICATIONS ARE THE EXCLUSIVE PROPERTY OF URL/STERN ELECTRONICS COMPANY. ISSUED IN STRICT CONFIDENCE AND SHALL NOT WITHOUT THE PRIOR WRITTEN PERMISSION OF UNIVERSAL RESEARCH LABORATORIES BE REPRODUCED, COPIED OR USED FOR ANY PURPOSE WHATSOEVER EXCEPT THE MANUFACTURE OF ARTICLES FOR UNIVERSAL RESEARCH LABORATORIES, INC.

DR: J. MACKROLA 1/10/83

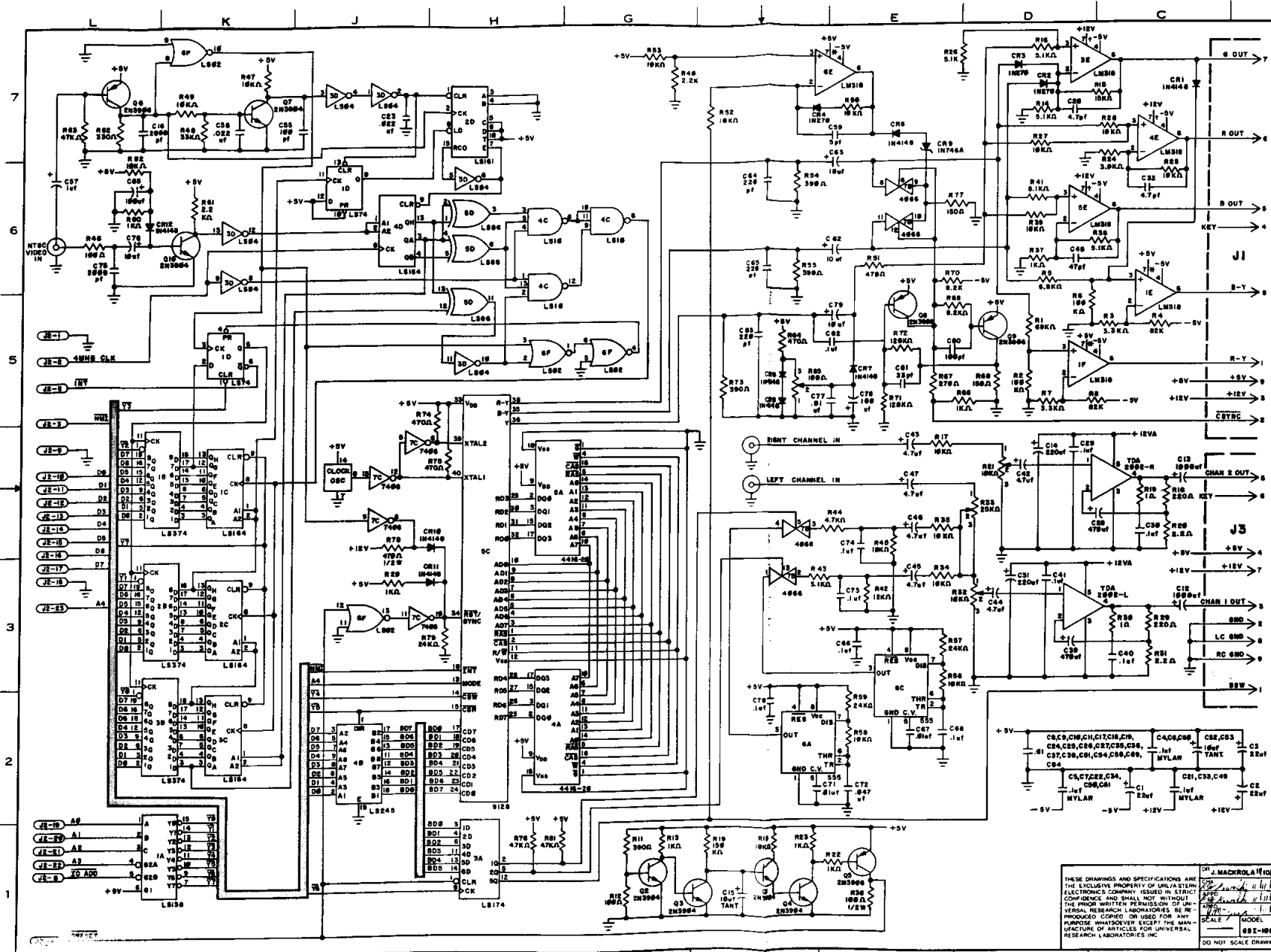
CHK: / / / / /

APPD: / / / / /

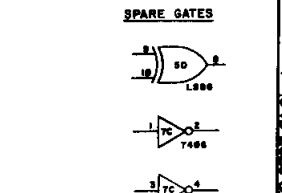
SCALE: / / / / /

MODEL: 6SI-1000

DO NOT SCALE DRAWING



REVISIONS		
SYM	DESCRIPTION	DATE
A	ISSUED E.X. 2010	11/10/71
B	AMENDED C88, C78 WMS. 1 MYLAR E.S. 3182	11/10/71



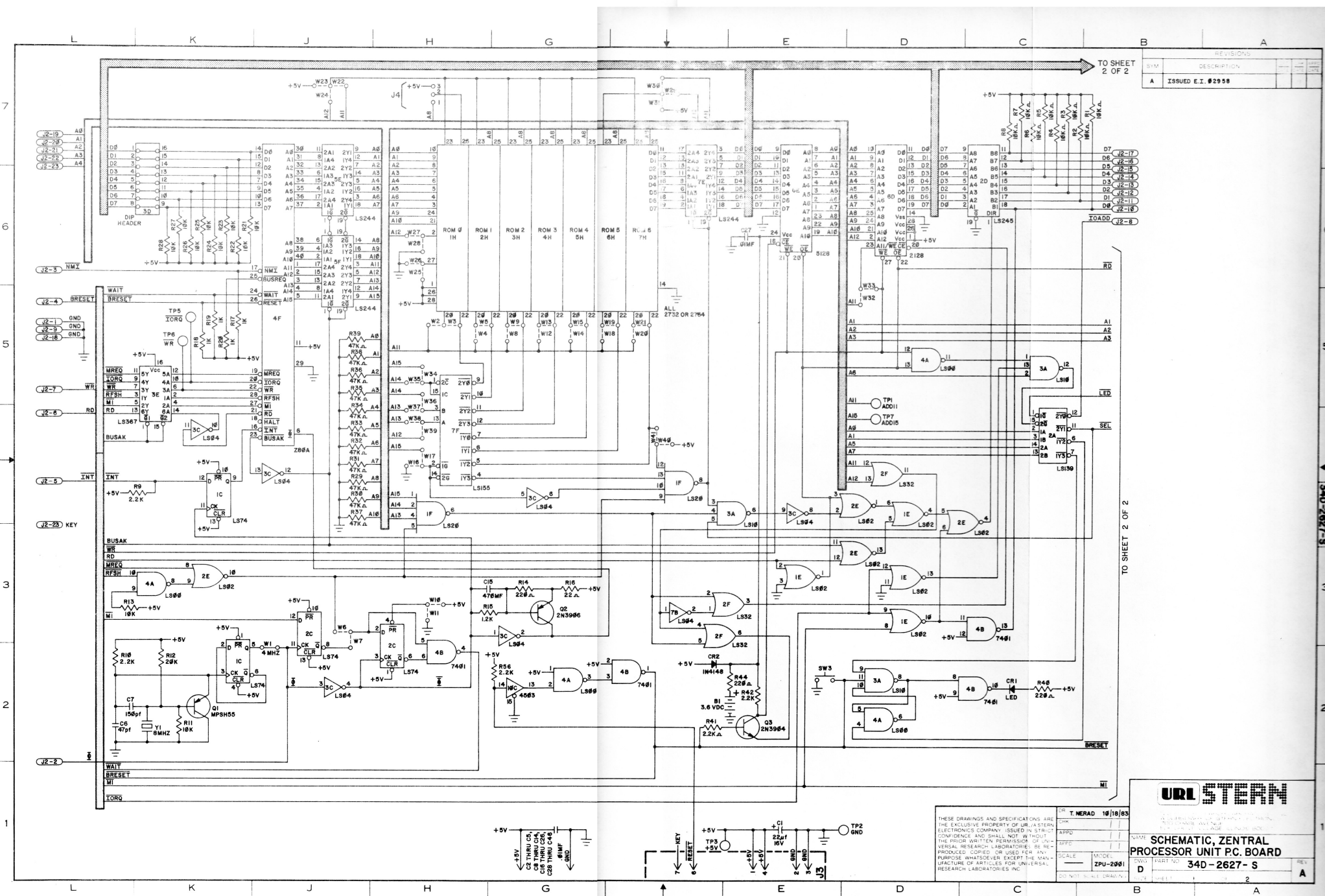
L8374	28	10
L8245	28	10
L8174	18	8
L8184	14	7
LS101	56MM	3,0,8
L8188	6,18	8
L806	16	7
L874	14,18,19	7
L810	16	7
L804	14	7
L802	16	5,7,9,11
LM308	7,9	4, 7, 7
9128	35	12
7496	16	7
4418	9	1,18
4088	14	7
555	4,8	1

I.C. TYPE +5V -5V +12V 0V

UNIVERSAL

THESE DRAWINGS AND SPECIFICATIONS ARE THE EXCLUSIVE PROPERTY OF UNIVERSAL ELECTRONICS COMPANY ISSUED IN STRICT CONFIDENCE AND SHALL NOT BE REPRODUCED OR USED FOR ANY PURPOSE WHATSOEVER EXCEPT THE MANUFACTURE OF ARTICLES FOR UNIVERSAL RESEARCH LABORATORIES INC.

NAME: SCHEMATIC, GRAPHICS, SOUND & INTERFACE
 DWT: FIRST NO. 34D-2825-S
 B2E SHEET 1 OF 1



SYM	DESCRIPTION	REV	DATE
A	ISSUED E.I. #2958		

URL STERN

UNIVERSAL RESEARCH LABORATORIES, INC.

1000 UNIVERSITY AVENUE
ANN ARBOR, MICHIGAN 48106

TEL: (313) 763-7000

FAX: (313) 763-7000

WWW: WWW.URLSTERN.COM

E-MAIL: URL@URLSTERN.COM

NAME: **SCHEMATIC, ZENTRAL PROCESSOR UNIT PC BOARD**

PART NO: **34D-2627-S**

SCALE: MODEL: ZPU-2901

SHEET: 1 OF 2

REV: A

THESE DRAWINGS AND SPECIFICATIONS ARE THE EXCLUSIVE PROPERTY OF URL STERN ELECTRONICS COMPANY. ISSUED IN STRICT CONFIDENCE AND SHALL NOT BE REPRODUCED, COPIED, OR USED FOR ANY PURPOSE WHATSOEVER EXCEPT THE MANUFACTURE OF ARTICLES FOR UNIVERSAL RESEARCH LABORATORIES, INC.

DATE: 10/18/83

BY: T. NERAD

APP'D: [Signature]

SCALE: MODEL: ZPU-2901

SHEET: 1 OF 2

REV: A

TO SHEET 2 OF 2

6-7203-01-C

